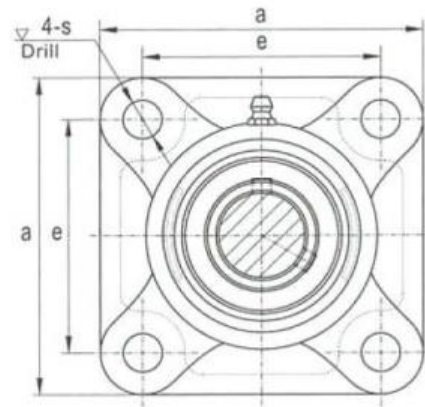
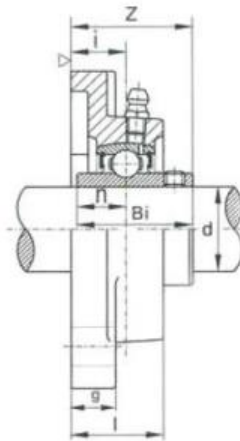


Datasheet

4 Bolt Flange Bearing unit - Imperial



RS Article no.	Shaft Dia.	Dimension (in.)								
	d (in.)	a	e	i	g	l	s	z	Bi	n
7508772	1	3 3/4	2 3/4	5/8	9/16	1 1/16	15/32	1 13/32	1.3386	0.563
7508797	1 1/2	5 1/8	4 1/64	53/64	5/8	1 13/32	5/8	2 1/64	1.937	0.748
7508807	2	6 3/8	5 1/8	63/64	25/32	1 11/16	3/4	2 19/64	2.189	0.874

RS Article no.	Bolt used	Housing No.	Weight (kg)
	(in.)		
7508772	3/8	F 205	0.82
7508797	1/2	F 208	1.9
7508807	5/8	F 211	3.4