

Datasheet

RS PRO IP67 Mini USB-B 2.0 – Male Mountable Cable End



The RS PRO series of waterproof Mini USB-B connectors are a range of ruggedised IP67/IP68 connectors designed to be used outdoors or in harsher industrial environments. Designed to fit panel cut outs of 16mm the metal Mini USB-B series also comes with rear potting on the panel mount connectors. This ensures your panel is still sealed to an IP67/IP68 rating even when the connector is unmated, and the sealing cap is not connected. The bayonet or screw mating allows for a secure connection.

Features & Benefits:

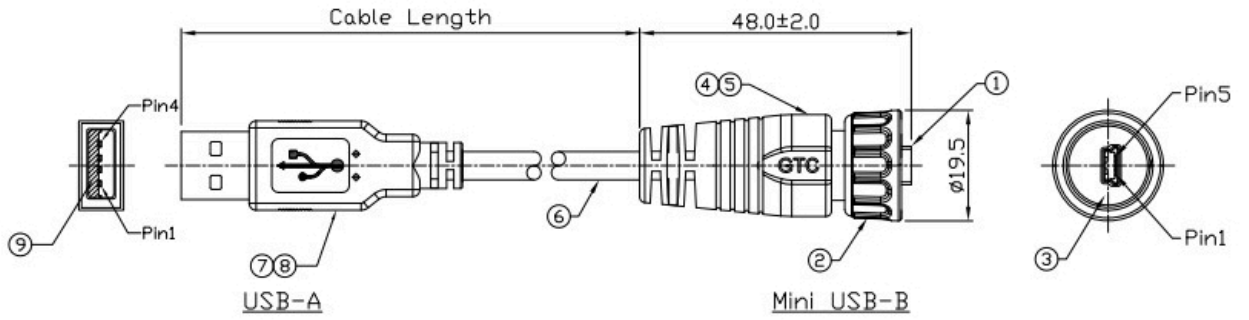
- **Thermoplastic or Copper Alloy with Nickel Plating**
- **IP67/IP68**
- **Rear Potted**
- **Threaded Mating**

Quality Standards



Dimensional line drawings

122-3028



1	Red	24AWG	1
2	White	28AWG	2
3	Green	28AWG	3
	N/C		4
4	Black	24AWG	5
Shell	Drain		Shell

USB-A

Mini USB-B

Wiring Diagram