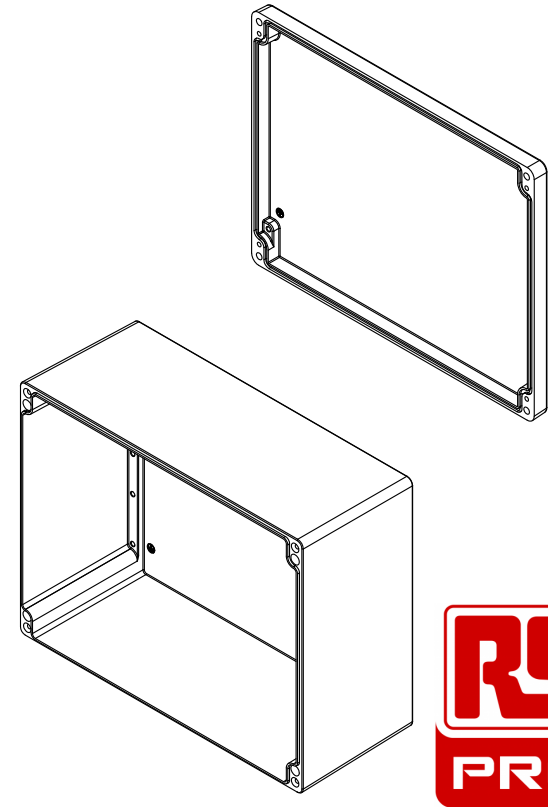
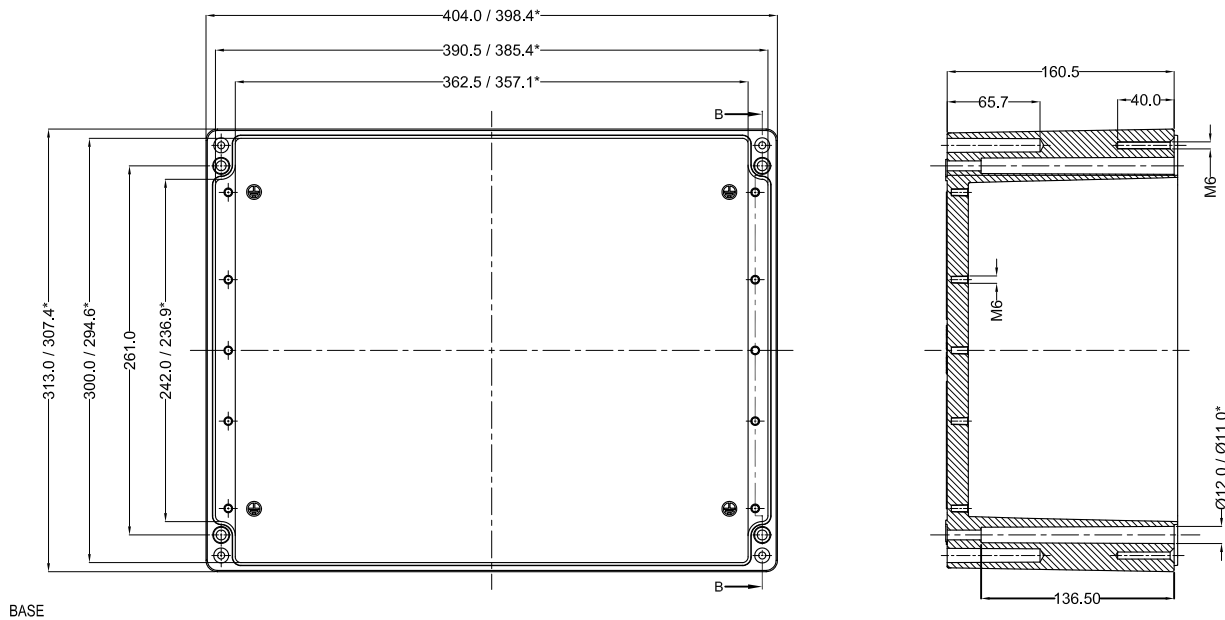
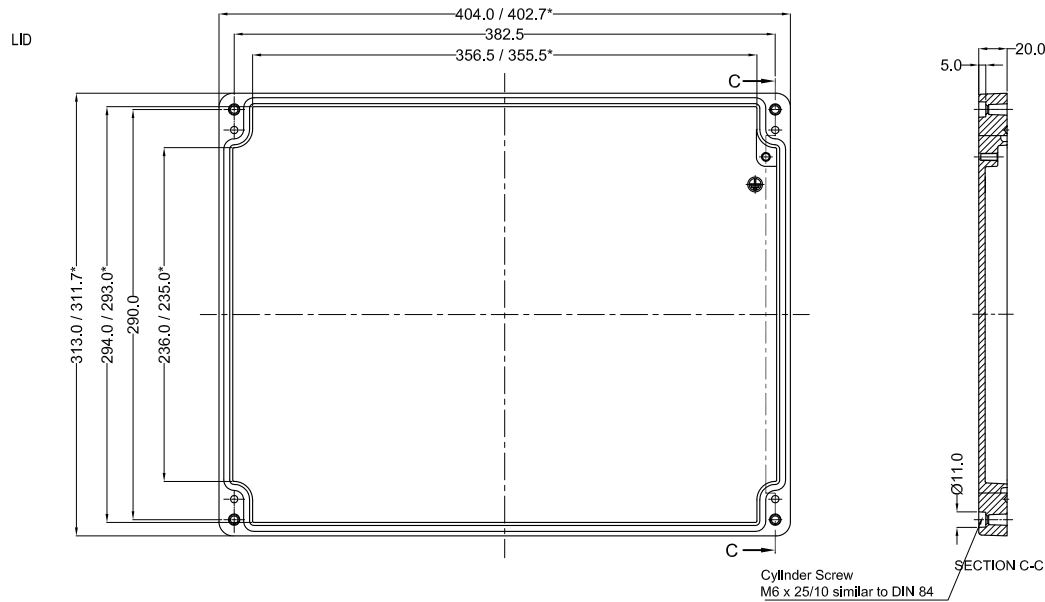


* = Conical form tapering downward.
 Untoleranced dimensions per GTA 13/5 DIN 1688

OPTIONAL ACCESSORIES		
PART NAME	QTY.	AVILABILITY
MOUNTING PLATE	1	Y
EXTERNAL HINGE	2	Y
INTERNAL HINGE	2	Y
MOUNTING BRACKETS	4	Y
NEOPRENE/SILICON GASKET	1	Y
DIN RAIL TS15	-	N
DIN RAIL TS35	1	Y



QUANTITY	MATERIAL :-	MACH.NAME	DATE	SIGN	NAME	
-	Alsi 12	-	15/01/14		RRPL DESIGN	
	Din230		15/01/14		MANOJ DRAWN	
		TITLE :-	15/01/14		PAVAN CHECKED	
		JUNCTION BOX 400 x 310 x 180	15/01/14		S . D . APPROVED	
			SCALE			
TOLERANCE	WEIGHT : FINISH : - NATURAL					
±0.2	DIMENSIONS					
±0.2	HOLES	ALL DIMINSON ARE IN MM				
±1.0°	ANGLES	Rd - 32				