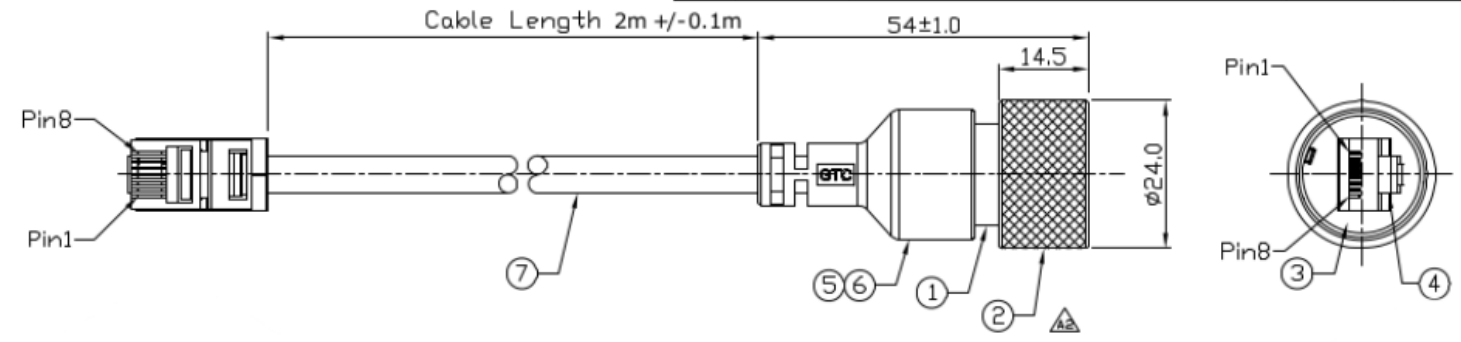




Notes: (Unless Otherwise Specified)  
 1. Waterproof Rate: IP68.  
 2. RoHS Compliant.

REV	ECN#	DESCRIPTION OF REVISION	DRAW BY DATE	CHECK BY DATE	APPROVE BY DATE
A1	ECN-130121	Add GT225320-06-15	Lucas 01/31/13	Ray 01/31/13	Ray 01/31/13
A2	ECN-140305	Change Screw Nut $\Delta\Delta$	Joyce 03/11/14	Lucas 03/11/14	Ray 03/11/14



Item	Part Name	Material / Finish	Qty
7	Cable	CATSE 24AWG*4P+ALMy+D(UV) Color: Black,OD=6.0mm	1
6	Over Mold	PVC Color: Black	1
5	Inner Mold	Thermoplastic Color: White or Black	1
4	RJ45 Plug	Shell: Cold Roll Steel Finish: Ni Plated	2
		Housing: Thermal Plastic Color: Clean	
3	Rubber Pad	Contacts: Copper Alloy Finish: Au Plated	1
		Silicone Color: Black	
2	Screw Nut	Copper Alloy Finish: Ni Plated	1
1	Housing	Thermoplastic Color: Black	1

Shell	Drain	Shell	
8	Brown	8	Twist
7	White/Brown	7	
6	Green	6	Twist
5	White/Blue	5	
4	Blue	4	Twist
3	White/Green	3	
2	Orange	2	Twist
1	White/Orange	1	
Plug	Wire Color	Conn.	
Pin Out			

Mating Parts:  
 111-6739  
 111-6740

TITLE									
RJ45 Metal C3 Shielding Cable End Plug Screw with RJ45 Plug									
THIRD ANGLE PROJECTION	SIZE	SCALE	DRAW / DATE	CHECK / DATE	APPROVE / DATE	TOLERANCES	UNIT	SHEET	
	B	1:1	Vicky 08/20/10	Ray 08/20/10	Ray 08/20/10	X.X ± 0.5 X.XX ± 0.2	mm	X.XXX ± 0.05 ANGLES ± 1°	1/1

RS Stock No  
 111-6741