

Datasheet

RS PRO VINYL SLEEVE

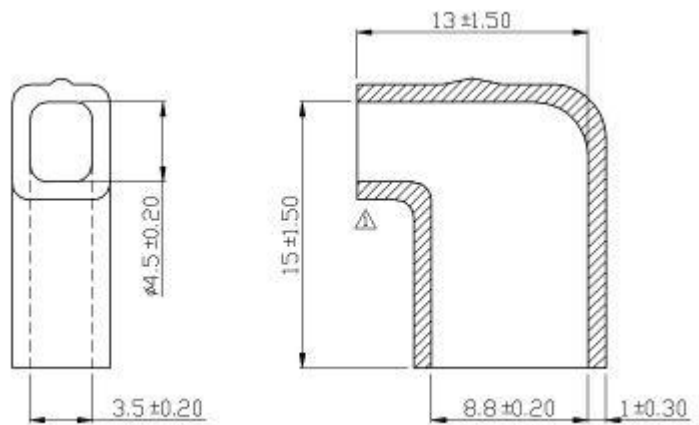
Stock number: 178-7172

MATERIAL: PVC

TEMPERATURE RANGE: UNDER 80 ° C

MELTING: 160 ° C

MAX. VOLTAGE: 500V



MATCHING: OPEN BARREL FLAG TYPE DISCONNECTORS (TAB 0.8*6.35MM)

