

FEATURES

- All fluids usable in aggressive environment
- Mechanical resistance
- Silicon free

RS PRO MALE PLUG EU DN7.8 INOX 1/2

RS Stock No.: 2312694



RS PROfessionally Approved Products bring to you professional quality parts across all product categories. Our product range has been tested by engineers and provides a comparable quality to the leading brands without paying a premium price.

Product Description

The RS PRO male plug EU DN7.8 inox 1/2 works in 0 to 16 bar pressure range. It mainly used in compressed air & tools, pneumatic & fluid technology, food & beverages applications. It provides high performance for multiple fluids in a wide range of temperature and pressure. Operating temperature range is from - 15 °C to + 200 °C. RoHS and REACH compliant.

General Specifications

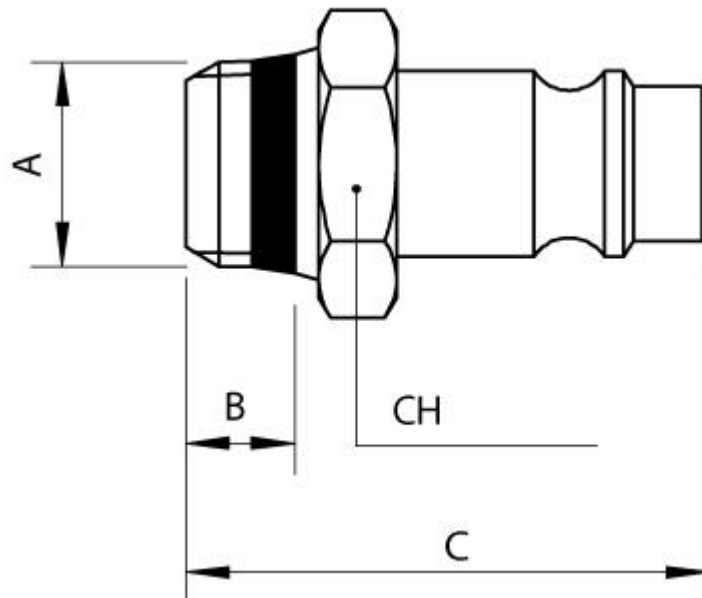
Material	Steel
Applications	Lubrication System, Cooling System, Pneumatic Machinery Equipment

Mechanical Specifications

Connection Type	Threaded, Tube
Tube Connection Size	9mm
Coupling Gender	Male
Threaded Connection	1/2 in Male
Thread Size	1/2in
Wrench Size	24
Length	36mm

Similar Products

Parameters	2312693	2312691
Brand	RS PRO	RS PRO
Connection Type	Threaded, Tube	Threaded, Tube
Tube Connection Size	7.5mm	7.5mm
Coupling Gender	Male	Male
Threaded Connection	3/8 in Male	3/8 in Male
Thread Size	3/8in	3/8in
Wrench Size	19	19
Length	34mm	34mm



A	B	C	D	CH	Pack.
1/2	9	36	-	24	2