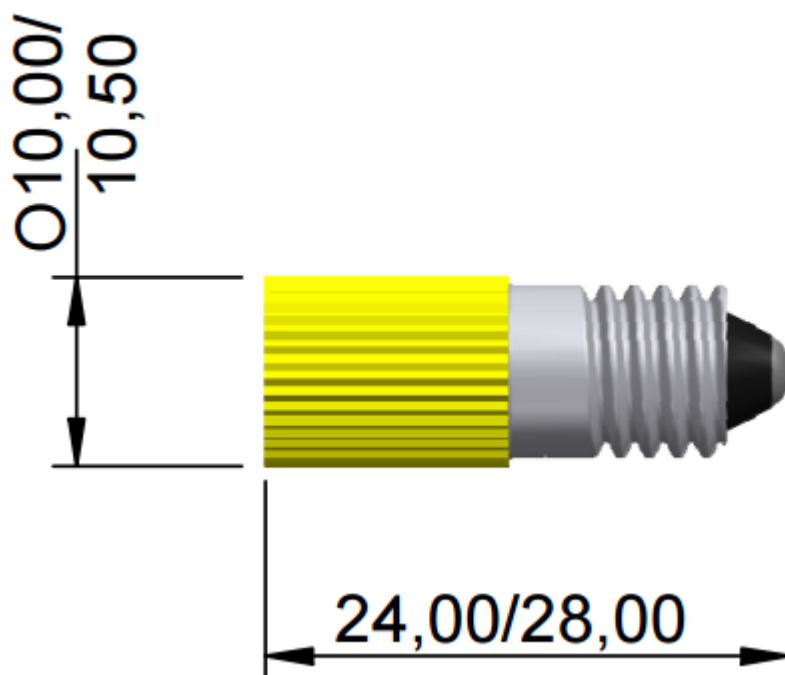


Datasheet

LED Indicator Lamp

RS ITEM NO 206-687



LED/Multiled	Multiled	Optimum voltage (V)	28Vdc	Intensity	300mcd
Mounting Size	10x24	Rectifier	-		
Mounting Finish		AC current	-		
Protection	-	DC current	9mA		
Mount Holder	E10	Voltage Tolerance (%)	10%		
Chip Qty	4	Optimum temperature (°C)	-30°C...+60°C		
Indicator colour	Yellow	Storage temperature (°C)	-30°C...+60°C		
Wavelength (nm)	592	Contact Tab	E10 Base Cup		



Dimension in mm (typical), not to scale.
We reserve the right to make changes without further notice to this product to improve reliability, function or design.