

## FEATURES

- Top performances at minimal or maximal pressure drop
- Compact and robust construction
- Quick traceability with laser-printed code on the body

# RS PRO Pilot Valve 3/8 OR.14 NBR

RS Stock No.: 2312790



RS PROfessionally Approved Products bring to you professional quality parts across all product categories. Our product range has been tested by engineers and provides a comparable quality to the leading brands without paying a premium price.

## Product Description

The RS PRO pilot solenoid valve 2/2nc 3/8 or.14 NBR mainly used in industrial processing, industrial washing, heating and cooling, chemical, oil & gas and machine tools applications. It is use to control liquid and gaseous media with a clean and compact design.

A solenoid valve is an electrically controlled valve that allows the flow of liquid or gaseous fluids through the orifice of the valve. The valve opens or closes when the internal plunger moves when a magnetic field is created.

## General Specifications

<b>Maximum Operating Pressure</b>	25 bar
<b>Applications</b>	Industrial Processing, Industrial Washing, Heating And Cooling, Chemical, Oil & Gas And Machine Tools Applications

<b>Materials</b>	
<b>Softseal Spool</b>	NBR

## Electrical Specifications

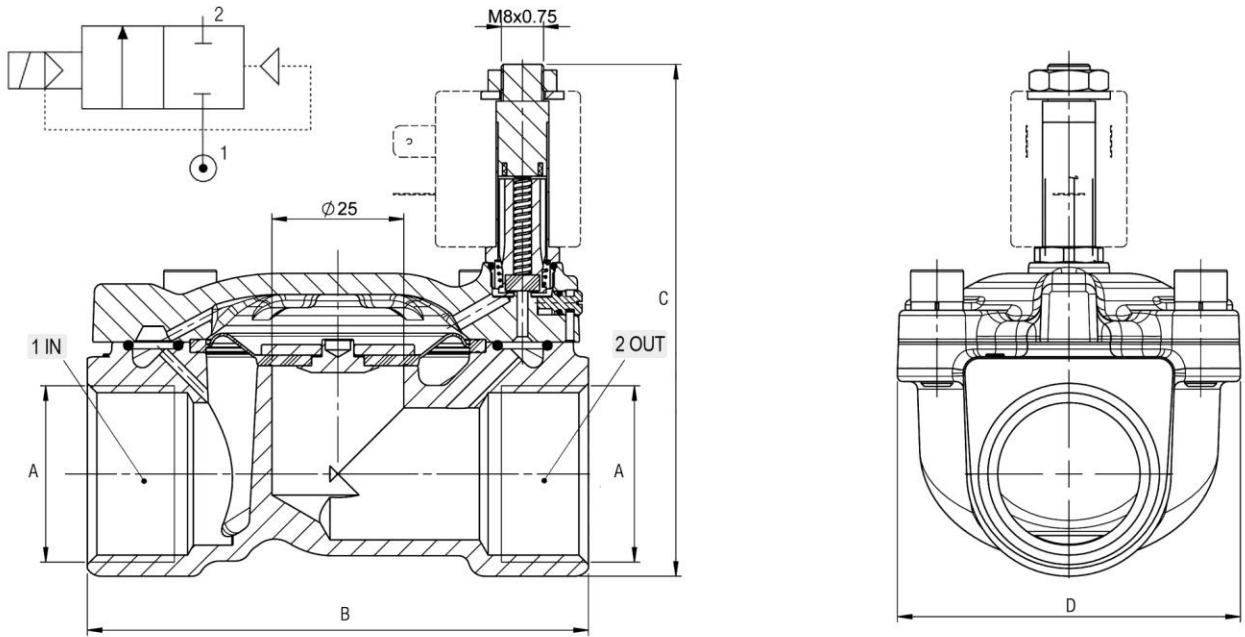
<b>Function</b>	BSP 1/4
<b>Actuation Type</b>	Solenoid Valve
<b>Kv Value (m3/h)</b>	3.32

## Mechanical Specifications

<b>Connection Port Thread</b>	Solenoid
<b>Thread Size</b>	3/8
<b>Mounting Style</b>	2/2 NC
<b>Dimensions</b>	65.3mm x 80.1mm x 46.4mm

## Similar Products

Parameters	2312797	2312798
<b>Brand</b>	<b>RS PRO</b>	<b>RS PRO</b>
<b>Maximum Working Pressure</b>	25 bar	25 bar
<b>Kv Value (m3/h)</b>	10.97	10.97
<b>Thread Size</b>	1in	1in



Seals	Thread Size	Ø mm	Viscosity	Kv m <sup>3</sup> /h	B	C	D
NBR	3/8	14	25	3,32	65,30	80,10	46,40