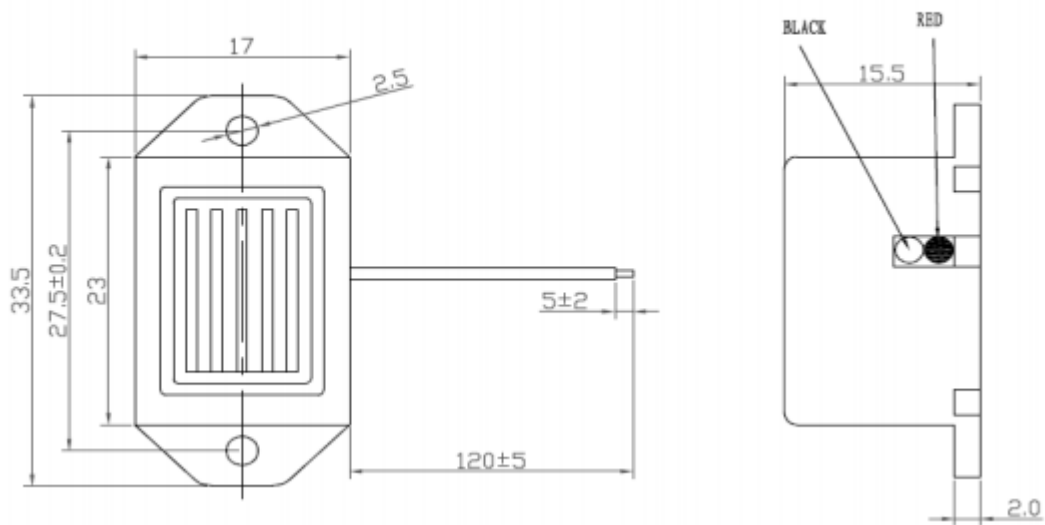


Datasheet

8V dc Flange Mount Electromagnetic Buzzer, 75dB Continuous

RS Stock number [724-3188](#)

Dimensions: (Unit: mm; Tolerance: ± 0.5 m)



Features:

- Colour: Black
- Housing Material: ABS
- Internal drive circuit

All data at 25°C unless otherwise specified.

SPECIFICATIONS	Audio Indicator with Flying Leads 6V
Operating Voltage	6-8 VDC
Rated voltage	6 VDC
Rated Current at rated voltage Max	25mA
Sound Output at 20cm, at rated voltage	≥ 75 dB
Resonant Frequency	400 ± 100 Hz
Tone	Single
Operating Temperature	-20 ~ +60°C
Storage Temperature	-30 ~ +70°C
Weight	7.8g