

Panel Mount Plug 5A, IP67

multicomp PRO



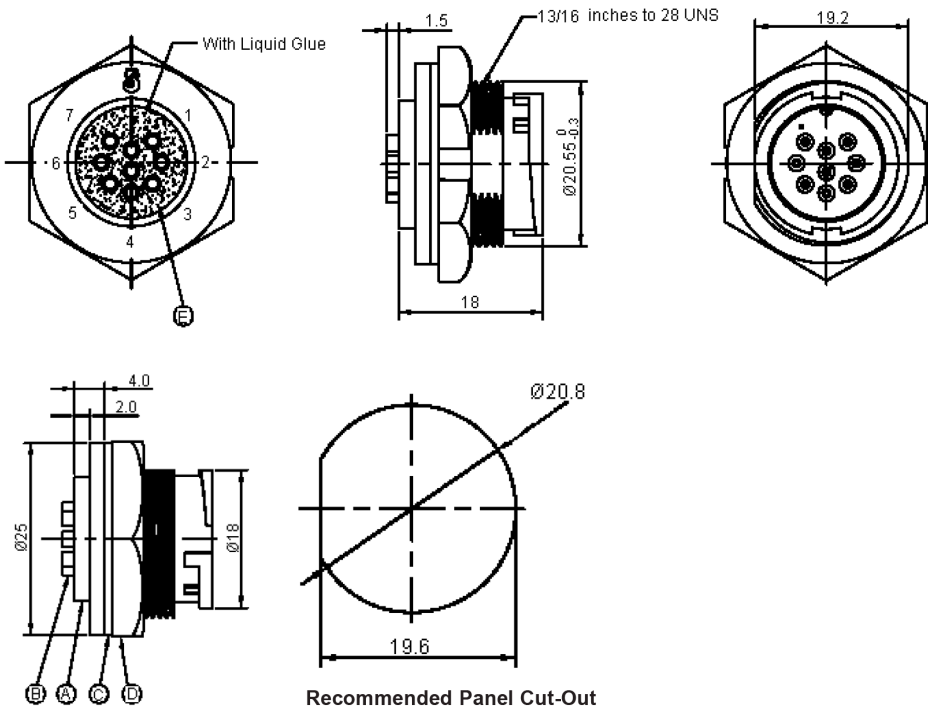
Specifications

Waterproof Rate : IP67
IP67 : Immersed in 1m water for 30 minutes

Electrical Characteristics

Temperature Range : -40°C to +100°C
Current Rating : 5A
Dielectric Withstanding Voltage : 500V AC for one minute
Specification : Circular series specifications
To conform to hazardous substance free specifications
For panel thickness maximum of 3.5mm

Diagram




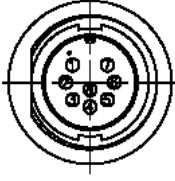
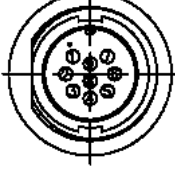
Dimensions : Millimetres

Item	Description	Material	Plating and Colour
A	Body	Nylon + GF	Black
B	Male PIN	Brass	6µ Inches Gold Plated Over Nickel Plating
C	Gasket	EPDM	Black
D	Nut	Nylon + GF	
E	Liquid Glue	-	

Panel Mount Plug 5A, IP67

multicomp PRO

Part Number Table

Description	PIN Assignments Front View	Part Number
Plug, Panel, 5A, 7 Way, IP67		2CM3002-W07300
Plug, Panel, 5A, 8 Way, IP67		2CM3002-W08300
Plug, Panel, 5A, 9 Way, IP67		2CM3002-W08300

Important Notice : This data sheet and its contents (the "Information") belong to the members of the AVNET group of companies (the "Group") or are licensed to it. No licence is granted for the use of it other than for information purposes in connection with the products to which it relates. No licence of any intellectual property rights is granted. The Information is subject to change without notice and replaces all data sheets previously supplied. The Information supplied is believed to be accurate but the Group assumes no responsibility for its accuracy or completeness, any error in or omission from it or for any use made of it. Users of this data sheet should check for themselves the Information and the suitability of the products for their purpose and not make any assumptions based on information included or omitted. Liability for loss or damage resulting from any reliance on the Information or use of it (including liability resulting from negligence or where the Group was aware of the possibility of such loss or damage arising) is excluded. This will not operate to limit or restrict the Group's liability for death or personal injury resulting from its negligence. Multicomp Pro is the registered trademark of Premier Farnell Limited 2019.

Newark.com/multicomp-pro
Farnell.com/multicomp-pro
Element14.com/multicomp-pro

multicomp PRO