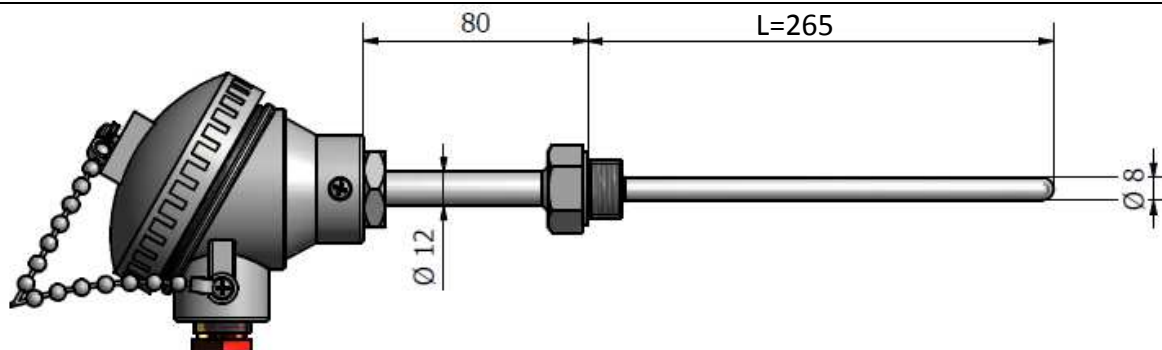




# Data sheet



## K-type temperature sensor with interchangeable thermic sleeve and welded connection 1/2" BSP

### Range :

- 0°C / +700°C

### Application :

- Universal

### Feature strong point :

- Solid , reagent

### FEATURES :

- Thermocouple type K ( Chromel – Alumel)
- Hot junction ungrounded
- Interchangeable thermic sleeve Ø6 (RS 621-2473)
- SS 316L Outer protector Ø8
- IP64 aluminium head type KNE – Epoxy coated
- Welded connection 1/2" BSP
- Under-head reinforcement Ø 12

### DIMENSIONS :

- Length under joint seal range: 265mm
- O.D : 8mm

### METROLOGICAL DATA:

- As per IEC 60584  
Tolerances TC K class 1 :  
-40°C < t° < +375°C = ± 0,5°C  
+375°C < t° < +1000°C = ±0.004 (t)
- Constant time in water: < 20 sec
- Output signal FEM (mV) as per curve of "K" type derived from IEC 60584

### Available dimensions :

Length "L"	165 mm	265 mm	515 mm
Référence	621-2417	621-2439	621-2451