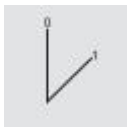
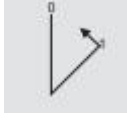

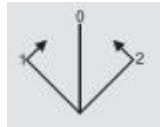
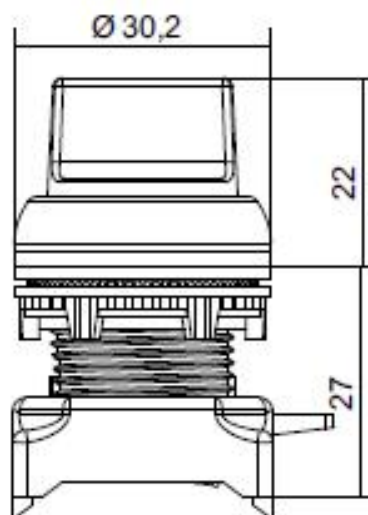


## Datasheet

Stock Number:	188-1146	188-1148	188-1151	188-1152
				
Colour	Black / Silver	Black / Silver	Black / Silver	Black / Silver

## 22mm Selector Switch Heads



Selector switch heads in 2 and 3 position versions for use with the RS pro modular plastic push button series. Robust design with modern aesthetics delivered via silver coloured bezel. Simple installation via standard lock nut.

### Specifications:

- 22mm Diameter
- Latching and Sprung return head options
- IP65 rated
- Contact block mounting clip included
- Stackable design for contact blocks (max 6)
- Mechanical life more than 1 million uses.

<b>Stock Number:</b>	188-1146	188-1148	188-1151	188-1152
<b>Colour</b>	Black / Silver	Black / Silver	Black / Silver	Black / Silver
<b>Actuation</b>	2 Position 0° – 30°	2 Position return 0° – 30°	3 position -45° – 45°	3 position return -45° – 45°
<b>Illuminated</b>	No			
<b>Cut out Diameter</b>	22.5mm			
<b>Style</b>	Round			
<b>IP Rating</b>	IP65			
<b>Shape</b>	Round			
<b>Mounting Type</b>	Panel Mounted			
<b>Body Material</b>	Plastic			

**Accessories:**

RS Stock Number	Accessory Type
188-1168	Normally Open Contact Block – Screw Terminal
188-1169	Normally Closed Contact Block – Screw Terminal
188-1170	Normally Open Contact Block – Spring Terminal
188-1171	Normally Closed Contact Block – Spring Terminal
175-3954	Legend Plate 0-I Pack of 5
175-3959	Legend Plate I-O-II Pack of 5
175-3960	Legend Plate OFF - ON Pack of 5
182-8655	Pushbutton Enclosure, 1 Hole, Plastic, Grey, 22mm Cut Out
182-8656	Pushbutton Enclosure, 2 Hole, Plastic, Grey, 22mm Cut Outs
182-8657	Pushbutton Enclosure, 3 Hole, Plastic, Grey, 22mm Cut Outs
182-8658	Pushbutton Enclosure, 4 Hole, Plastic, Grey, 22mm Cut Outs
136-8582	Pushbutton Enclosure, 1 Hole, Die Cast Aluminium, Yellow, 22mm Cut Out
136-8581	Pushbutton Enclosure, 1 Hole, Die Cast Aluminium, Yellow, 22mm Cut Out