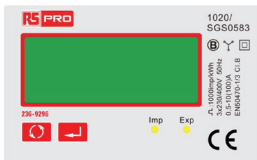




Every part matters



236-9296

Three Phase RS485 Modbus Energy Meter

Safety Instructions

Information for your own safety

This manual does not contain all of the safety measures for operation of the equipment (module, device), because special operating conditions, and local code requirements or regulations may necessitate further measures. However, it does contain information which must be read for your personal safety and to avoid material damages. This information is highlighted by a warning triangle and is represented as follows, depending on the degree of potential danger.



Warning

This means that failure to observe the instruction can result in death, serious injury or considerable material damage.



Caution

This means hazard of electric shock and failure to take the necessary safety precautions will result in death, serious injury or considerable material damage.

Qualified personnel

Operation of the equipment (module, device) described in this manual may only be performed by qualified personnel. Qualified personnel in this manual means person who are authorized to commission, start up, ground and label devices, systems and circuits according to safety and Regulatory standards.

Use for the intended purpose

The equipment (device, module) may only be used for the application specified in the catalogue and the user manual.

Proper handling

The prerequisites for perfect, reliable operation of the product are proper transport, proper storage, installation and assembly, as well as proper operation and maintenance. When operating electrical equipment, certain parts of this equipment automatically carry dangerous voltages. Improper handling can therefore result in serious injuries or material damage.

- ♦ Use only insulating tools.
- ♦ Do not connect while circuit is live (hot).
- ♦ Place the meter only in dry surroundings.
- ♦ Do not mount the meter in an explosive area or expose the meter to dust, mildew and insects.
- ♦ Make sure the used wires are suitable for the maximum current of this meter.
- ♦ Make sure the AC wires are connected correctly before activating the current/voltage to the meter.
- ♦ Do not touch the meter connecting clamps directly with your bare hands, with metal, blank wire or other material as you may get an electrical shock.
- ♦ Make sure the protection cover is placed after installation.
- ♦ Installation, maintenance and repair should only be done by qualified personnel.
- ♦ Never break the seals and open the front cover as this might influence the functionality of the meter, and will avoid any warranty.
- ♦ Do not drop, or allow physical impact to the meter as there are high precision components inside that may break.

Introduction

The 236-9296 is digital three phase 4 wire energy meter with a white back-lighted LCD screen for perfect reading. The unit measures and displays active energy (kWh) and power (W), imported and exported. A resettable partial energy is provided, so the user can easily check the import energy and export energy during a certain period.

The 236-9296 supports max. 100A direct connection, saves the cost and avoid the trouble to connect external CTs, giving the unit a cost-effective and easy operation. Built-in interfaces provides pulse and RS485 Modbus RTU outputs. Configuration is password protected.

Technical Data

Specifications

Nominal voltage(Un)	230V/400V AC(3~)
Operational voltage	80%~120% Un
Insulation capabilities	
- AC voltage withstand	4KV for 1 minute
- Impulse voltage withstand	6KV-1.2/50µS
Basic current (Ib)	10A
Maximum rated current (Imax)	100A
Operational current range	0.4% Ib~Imax
Over current withstand	30Imax for 0.01s
Operational frequency range	50Hz
Internal power consumption	≤ 2W/10VA/phase
Pulse output flash rate (LED)	1000imp/kWh
Pulse output rate(Terminal)	1000imp/kWh
Display	LCD with backlight
Max. Reading	9999999kWh

Performance criteria

Operating humidity	≤ 90%
Storage humidity	≤ 95%
Operating temperature	-25°C - +55°C
Storage temperature	-40°C - +70°C
Active energy accuracy	Class 1 IEC 62053-21
Protection against penetration of dust and water	IP51
Insulating encased meter of protective class	II
Warm up time	6S
Mechanical environment	M1
Electromagnetic environment	E2
Degree of pollution	2

Rs485 Output for Modbus RTU

The meter provides a RS485 port for remote communication. Modbus RTU is the protocol applied. For Modbus RTU, the following RS485 communication parameters can be configured from the Set-up menu:

Baud rate 1200, 2400, 4800, 9600

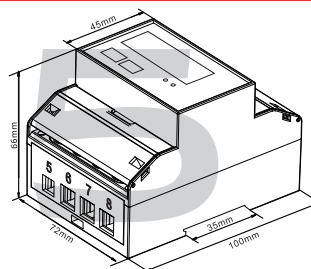
Parity none (default)/odd/even

Stop bits 1 or 2

RS485 network address nnn – 3-digit number, 001 to 247

Modbus™ Word order Hi/Lo byte order is set automatically to normal or reverse. It cannot be configured from the set-up menu.

Dimensions



Height 100mm
Width 72mm
Depth 66mm

Operation

Initialization display

When the meter is powered on, it will initialize and do self-checking:

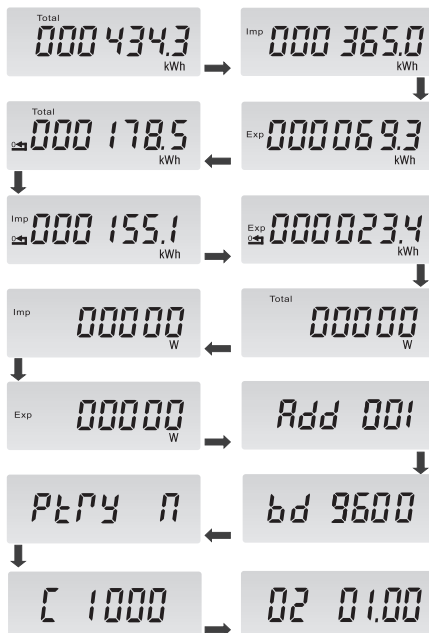


After the self-checking program, the meter display will show the total active energy (kWh)

Scroll display

Scroll Display by Button
There are two buttons on the front panel.

	>Scroll the display for data checking. >Changing option at Set-up mode >Exit the Set-up mode
	>Set-up mode entry >Confirmation



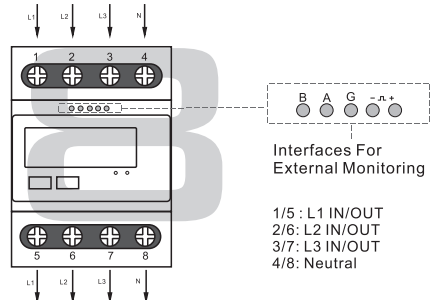
Set-up Mode

To get into Set-up Mode, the user needs to press the "Enter" button for 3 seconds.

Page	Display	Descriptions
1		Password To get into Set-up mode, it asks a password confirmation. Default password: 1000 Use and to enter correct password.
		The entering information is wrong. The operation fails.
2		Keep pressing for 3 seconds, the current selection will flash, use and to change the Modbus address. Options: 1~247 Keep press for 3s to confirm the selection.
3		Keep pressing for 3 seconds, the current selection will flash, use and to change the Baud rate. Options: 1200, 2400, 4800, 9600 (default) Keep press for 3s to confirm the selection.
4		Keep pressing for 3 seconds, the current selection will flash, use and to change the Parity. Options: EVEN, ODD, NONE (default) Keep press for 3s to confirm the selection.
5		Use to select the Password option. Keep pressing for 3 seconds, the current selection will
6		flash, use and to enter the new password. The range is from 0001 to 9999. Keep press for 3s to confirm the selection.

Keep pressing button to exit the set-up mode.

Wiring Diagram



Meaning of Symbols



MID Measuring Instruments Directive (MID 2014/32/EU).

FOR MORE INFORMATION VISIT THIS SITE
<http://www.rs-components.com/index.html>

UK – Birchington Rd, Corby NN17 9RS
EU - Mainzer Landstraße 180. 60327 Frankfurt/Main

The Information contained in these installation instructions is for use only by installers trained to make electrical power installations and is intended to describe the correct method of installation for this product. However, Company has no control over the field conditions which influence product installation.
It is the user's responsibility to determine the suitability of the installation method in the user's field conditions. Company only obligations are those in Company standard Conditions of Sale for this product and in no case will Company be liable for any other incidental, indirect or consequential damages arising from the use or misuse of the products.

FOR MORE INFORMATION VISIT THIS SITE
<http://www.rs-components.com/index.html>