

## SPARES & ACCESSORIES



Multifunctional  
Tray  
KEN-594-1650K



Waste  
Bin  
KEN-594-1670K



Side  
Tray  
KEN-594-1660K



Drawer Slides (QTY 2)  
SPR-567-7910K



Drawer Slides (QTY 2)  
SPR-567-7920K



Drawer Slides For  
Mobile Workstation  
(QTY 2)  
SPR-567-8100K

## QUALITY GUARANTEE & WARRANTY

**KENNEDY TOOLS** carry a one year manufacturer's warranty.  
**KENNEDY TOOLS** are designed and manufactured to the highest of  
standards and specifications.

Assuring the quality and performance required by all  
sectors of industry.

**KENNEDY TOOLS** are fully guaranteed against  
faulty materials and workmanship.

Should they be found to be defective, they will either be repaired or  
replaced free of charge (fair wear and tear and/or misuse excepted).

**Please retain supplier invoice as proof of purchase.**

## THE ENVIRONMENT



Always dispose of unwanted tools, accessories and packaging materials  
in an environmentally friendly manner.

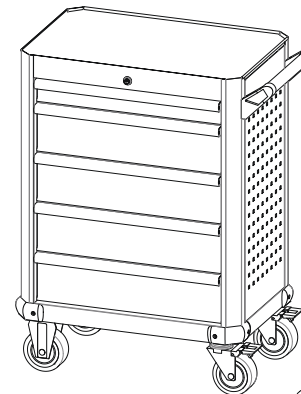
Kennedy Tools continually strives to improve its products. Specifications may change without prior notice.  
**KENNEDY TOOLS** Wigston, Leicester, England, LE18 2FS. [www.kennedy-tools.co.uk](http://www.kennedy-tools.co.uk)  
Kennedy is a registered trade mark of The Kennedy Group Ltd.

# KENNEDY® PROFESSIONAL

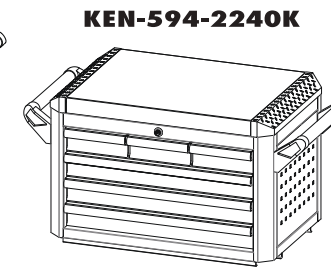
## ROLLER CABINETS, TOP CHEST & MOBILE WORKSTATION

### ORDER CODES

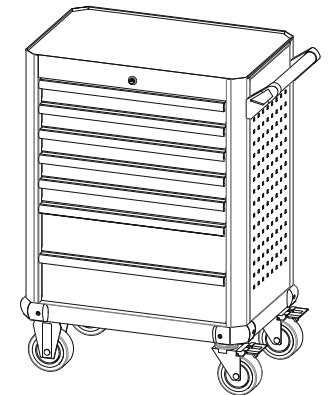
<b>KEN-594-2140K</b>	<b>28" 5 DRAWER ROLLER CABINET - GREY/RED</b>
<b>KEN-594-2340K</b>	<b>28" 7 DRAWER ROLLER CABINET - GREY/RED</b>
<b>KEN-594-2240K</b>	<b>28" 6 DRAWER TOP CHEST - GREY/RED</b>
<b>KEN-594-6800K</b>	<b>45" 10 DRAWER MOBILE WORKSTATION - GREY/RED</b>



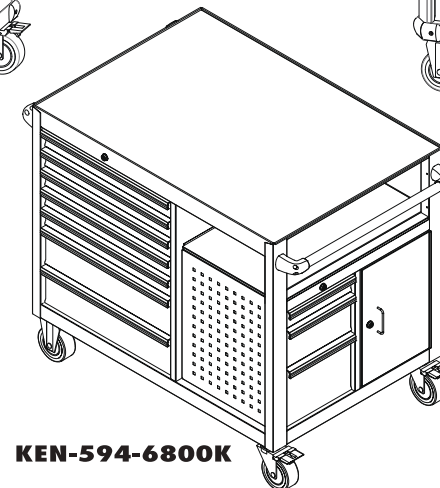
**KEN-594-2140K**



**KEN-594-2240K**



**KEN-594-2340K**



**KEN-594-6800K**

## INSTRUCTION MANUAL

Please retain this information for future reference.

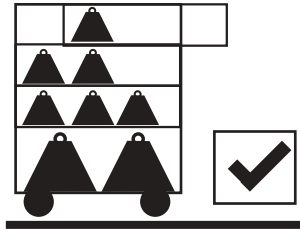
# SAFETY INSTRUCTIONS

**KENNEDY** Roller cabinets, top chest and mobile workstation are designed to help you work safely and efficiently. Storage equipment can be dangerous if the correct operating procedures are not followed. Safety procedures and assembly instructions are as follows:

- Read, study and understand all warnings and operating instructions before use.
- **DO NOT** alter the product in any way.
- **DO NOT** weld lock bars or dollies onto the unit.
- **DO NOT** mount the roller cabinet, top chest or mobile workstation onto any moving object such as a truck, van or lorry etc.

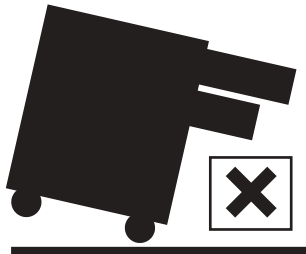
### LOADING:

- **DO NOT** load from the top drawer first.
- **DO NOT** drop tools into the drawers.
- **DO NOT** completely fill only one drawer, evenly distribute the weight.
- **DO NOT** load a drawer from the front.
- **DO NOT** exceed the maximum load capacity for the drawers. Please see specifications section for the correct capacity.
- **DO NOT** exceed the maximum load capacity for the castor wheels which includes the product weight and content weight also top chest weight if placing one on top. Please see specifications section for the correct capacity.



### USE:

- **DO NOT** open more than one loaded drawer at a time as this may cause the unit to tip and cause serious injury.
- **ALWAYS** apply the brakes on the castor wheels when unit is not in motion.
- **DO NOT** stand on this unit.
- **DO NOT** slam the drawers shut.




### MOVEMENT:

- **BEFORE** attempting to move the unit, make sure all drawers are fully closed and locked. Failure to do so may result in serious injury.
- **DO NOT** pull to move the unit, always push.
- **NEVER** tow the unit with any equipment.
- **ALWAYS** place the unit on a flat level surface.


# SPECIFICATIONS

	5 DRAWER CABINET	7 DRAWER CABINET	6 DRAWER TOP CHEST	10 DRAWER WORKSTATION
ORDER CODE:	KEN-594-2140K	KEN-594-2340K	KEN-594-2240K	KEN-594-6800K
DRAWER LOAD CAPACITY (EACH):	40-45kg	40-45kg	40-45kg	45kg
DRAWER DIMS (W x L x D mm):	1@ 568x398x154 4@ 568x398x154	5@ 568x398x75 2@ 568x398x154	3@ 168x398x75 3@ 568x398x75	5@ 568x398x75 2@ 568x398x154 1@ 283x398x75 1@ 283x398x154 1@ 283x398x233
STORAGE LOCKER DIMS (W x L x D mm):	N/A	N/A	N/A	N/A
LID COMPARTMENT DIMS (W x L x D mm):	N/A	N/A	580x560x80	N/A
TOTAL DRAWER LOAD CAPACITY:	225kg	315kg	270kg	450kg
STATIC LOAD CAPACITY:	550kg	550kg	35kg	550kg
CASTER WHEEL SIZE (DIA.):	125mm	125mm	N/A	125mm
OVERALL WEIGHT:	63.4kg	67.4kg	43.0kg	120kg
DIMENSIONS (W x D x H mm):	706x461x844	706x461x844	706x461x454	1123x791x844


# SPARES & ACCESSORIES




Side Handle (Grey) For Roller Cabinets & Top Chests  
**SPR-567-7800K**




Gas Struts For Top Chests (SET OF 2)  
**KEN-594-6600K**




10mm EVA Foam Top Mat For Roller Cabinets  
**SPR-567-2800K**




ABS Work Top Tray  
**KEN-594-1580K**




Lock & Key Set (inc. 2 Keys)  
**SPR-567-2870K**




Blank Key  
**SPR-567-2220K**




4 x 125mm TPR Caster Wheels (2 Fixed, 2 Swivel with Brake)  
**SPR-567-2920K**




3.0mm Drawer Liner  
**SPR-567-2820K**




Side Handle (Grey) For Mobile Workstation  
**SPR-567-8040K**



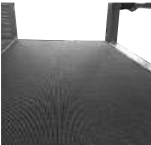
2.5mm Drawer Liner (Front Drawer) For Mobile Workstation  
**SPR-567-8050K**




2.5mm Drawer Liner (Side Drawer) For Mobile Workstation  
**SPR-567-8060K**




3mm Rubber Top Mat For Mobile Workstation  
**SPR-567-8070K**




5mm EVA Mat (Side Open Space) For Mobile Workstation  
**SPR-567-8080K**




Aluminium Door Handle For Mobile Workstation  
**SPR-567-8090K**




Tote Tray  
**KEN-594-1640K**




Screwdriver Holder For 7 pcs  
**KEN-594-1630K**



320mm Paper Roll Holder  
**KEN-594-1560K**



Hook Rack For 7 pcs  
**KEN-594-1610K**



Can Holder  
**KEN-594-1590K**

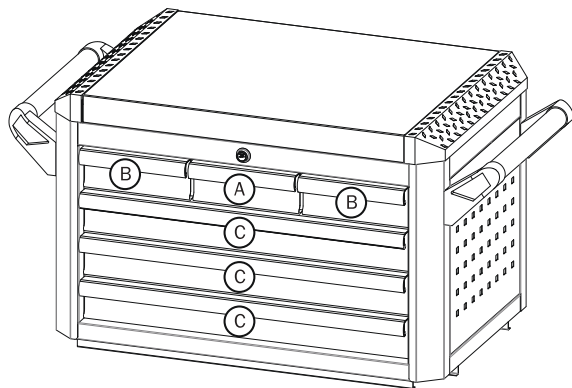
Continued on next page

# ORDERING OF SPARE DRAWER SLIDES

There are two types of drawer slides used between the Kennedy roller cabinets and top chest (as can be seen in the 'Spares & Accessories' on page 7). Below will help you distinguish which type of drawer slide you will require.  
**PLEASE NOTE:** Drawer slides vary from drawer to drawer. Drawer "B" includes two different slides.

Roller Cabinet/ Top Chest/ Mobile Workstation Order Code	Spare Drawer Slides Required
KEN-594-2140K KEN-594-2340K	SPR-567-7920K
KEN-594-2240K	SPR-567-7910K & SPR-567-7920K (See diagram below for different slide positions)
KEN-594-6800K	SPR-567-8100K

Top Chest Drawer	Drawer Slides Required
Drawer A	SPR-567-7910K
Drawer B (one of each side)	SPR-567-7910K & SPR-567-7920K
Drawer C	SPR-567-7920K



# ASSEMBLY

## HOW TO ASSEMBLE THE ROLLER CABINETS:

### BEFORE YOU ASSEMBLE:

Check that you have all the items from the parts list. The parts list and assembly covers both models of the roller cabinets.

**DO NOT** discard the packaging materials until all parts are accounted for.

### HOW TO ASSEMBLE THE ROLLER CABINETS:

Please note: we advise that 2 or more people should assemble the roller cabinet and top chest.

See Fig.1 below.

1. Lay the cabinet on it's side on a protective surface. Attach and fasten the casters to the bottom of the cabinet making sure that the swivel casters are on the same side that the handle will be on.
2. Attach and fasten the handle to the side you have attached the swivel casters.

### HOW TO ASSEMBLE TOP CHEST ONTO ROLLER CABINET:

See Fig.2 below.

1. Remove the top mat off the trolley cabinet.
2. Carefully place the tool chest on top of the fully assembled roller cabinet.

	PART	QTY
1.	ROLLER CABINET	1
2.	HANDLE	1
3.	M6 SCREW	4
4.	M8 WASHER	16
5.	M8 SPLIT WASHER	16
6.	M8*20 BOLT	16
7.	SWIVEL CASTER	2
8.	FIXED CASTER	2

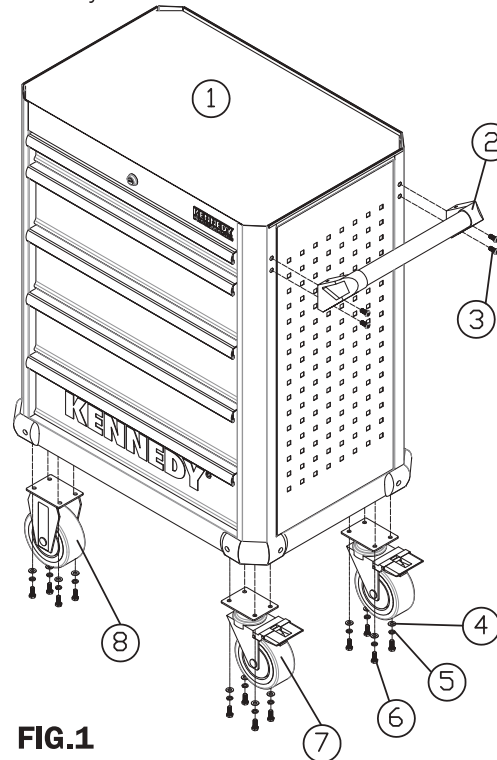


FIG.1

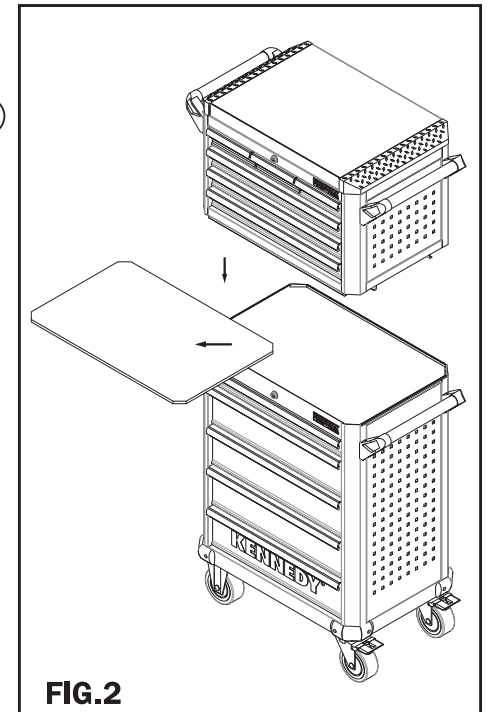


FIG.2

## ASSEMBLY

### HOW TO ASSEMBLE THE TOP CHEST:

#### BEFORE YOU ASSEMBLE:

Check that you have all the items from the parts list. **DO NOT** discard the packaging materials until all parts are accounted for.

#### HOW TO ASSEMBLE THE TOP CHESTS:

Please note: we advise that 2 or more people should assemble the roller cabinet and top chest.


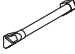

#### See Fig.1 below.

1. Attach and fasten both the handles onto the sides of the top chest.

#### HOW TO ASSEMBLE TOP CHEST ONTO ROLLER CABINET:

#### See Fig.2 below.

1. Remove the top mat off the trolley cabinet.
2. Carefully place the tool chest on top of the fully assembled roller cabinet.

	PART	QTY
1.	 TOP CHEST	1
2.	 HANDLE	2
3.	 M6 SCREW	8

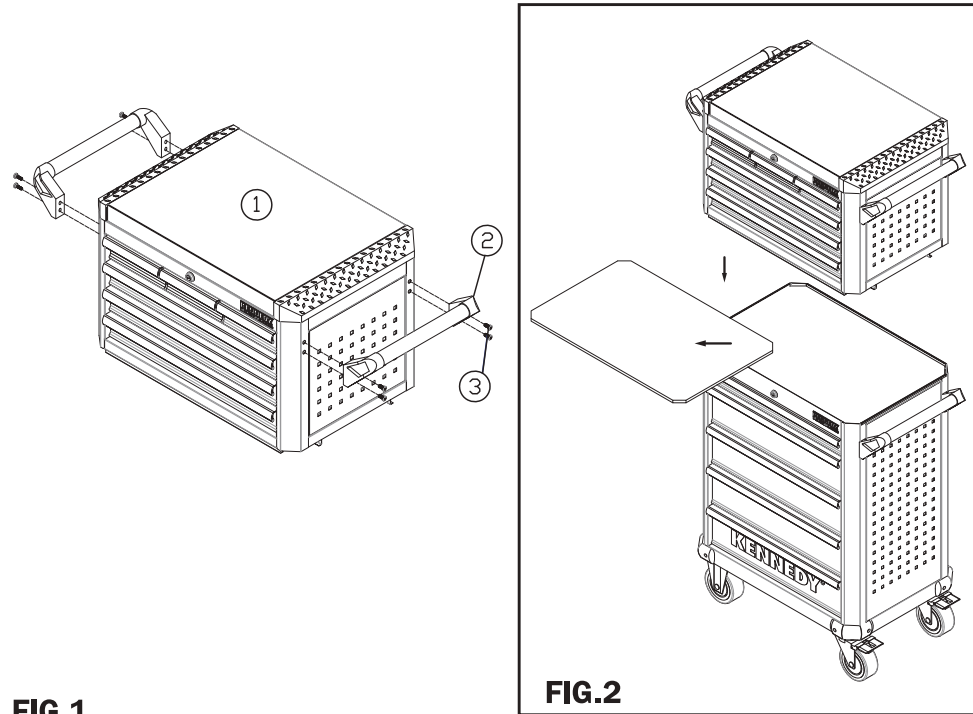


FIG.1

FIG.2

## ASSEMBLY

### HOW TO ASSEMBLE THE MOBILE WORKSTATION:


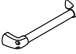





#### BEFORE YOU ASSEMBLE:

Check that you have all the items from the parts list. **DO NOT** discard the packaging materials until all parts are accounted for.

#### HOW TO ASSEMBLE THE MOBILE WORKSTATION:

#### See Fig.1 below.

1. Attach and fasten the handles to the sides of the workstation.
2. To assemble the shelves, clip the shelf brackets to the walls inside the cupboard compartments and place the shelf onto the shelf brackets, making sure that the shelves are securely in place.

	PART	QTY
1.	 MOBILE WORKSTATION	1
2.	 HANDLE	2
3.	 M6 SCREW	8
4.	 LARGE SHELF BRACKET	8
5.	 LARGE SHELF	2
6.	 SMALL SHELF BRACKET	4
7.	 SMALL SHELF	1

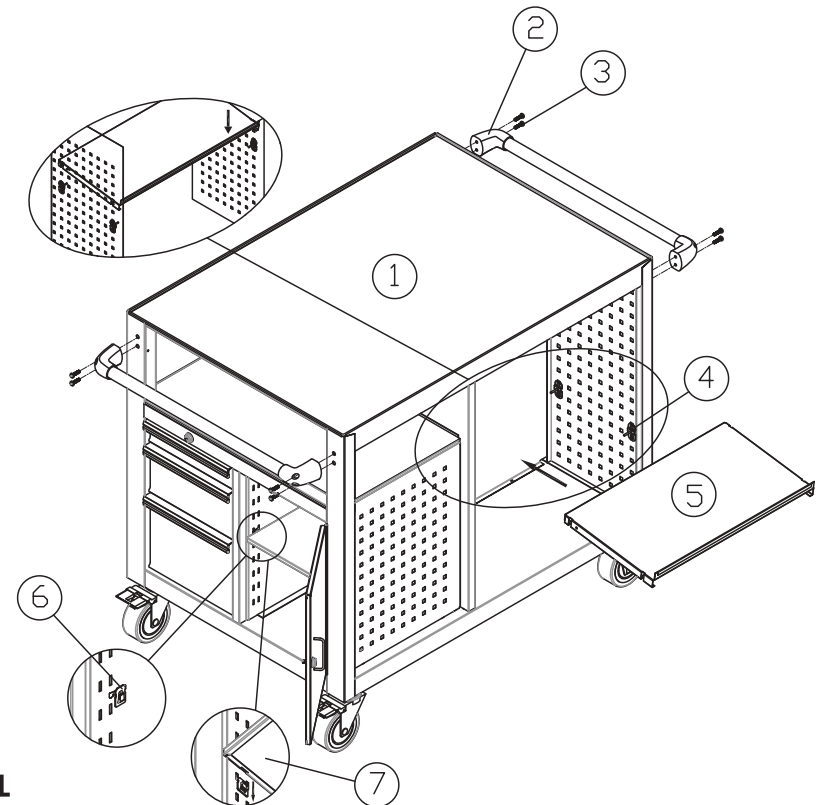


FIG.1