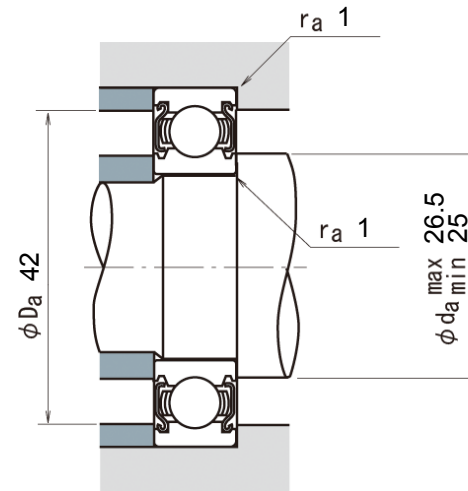
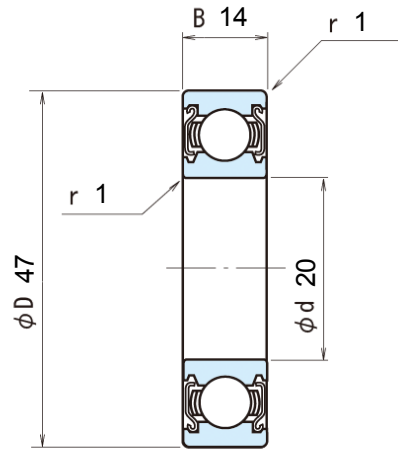


- └ Single-Row
- └ ZZ: With Two Shielded

Boundary Dimensions (mm)				Basic Load Ratings (kN)		Limiting Speeds (min <sup>-1</sup> )		Bearing Numbers	NSKHPS
<i>d</i>	<i>D</i>	<i>B</i>	<i>r</i> min.	<i>C<sub>r</sub></i>	<i>C<sub>0r</sub></i>	Grease	Oil		
20	47	14	1	13.4	6.6	17000	-	6204ZZ &	<b>NSKHPS</b>



Factor	Mass (kg) approx.
$f_0$	
13.1	0.107