



ENGLISH

Datasheet

RS Article:1854625

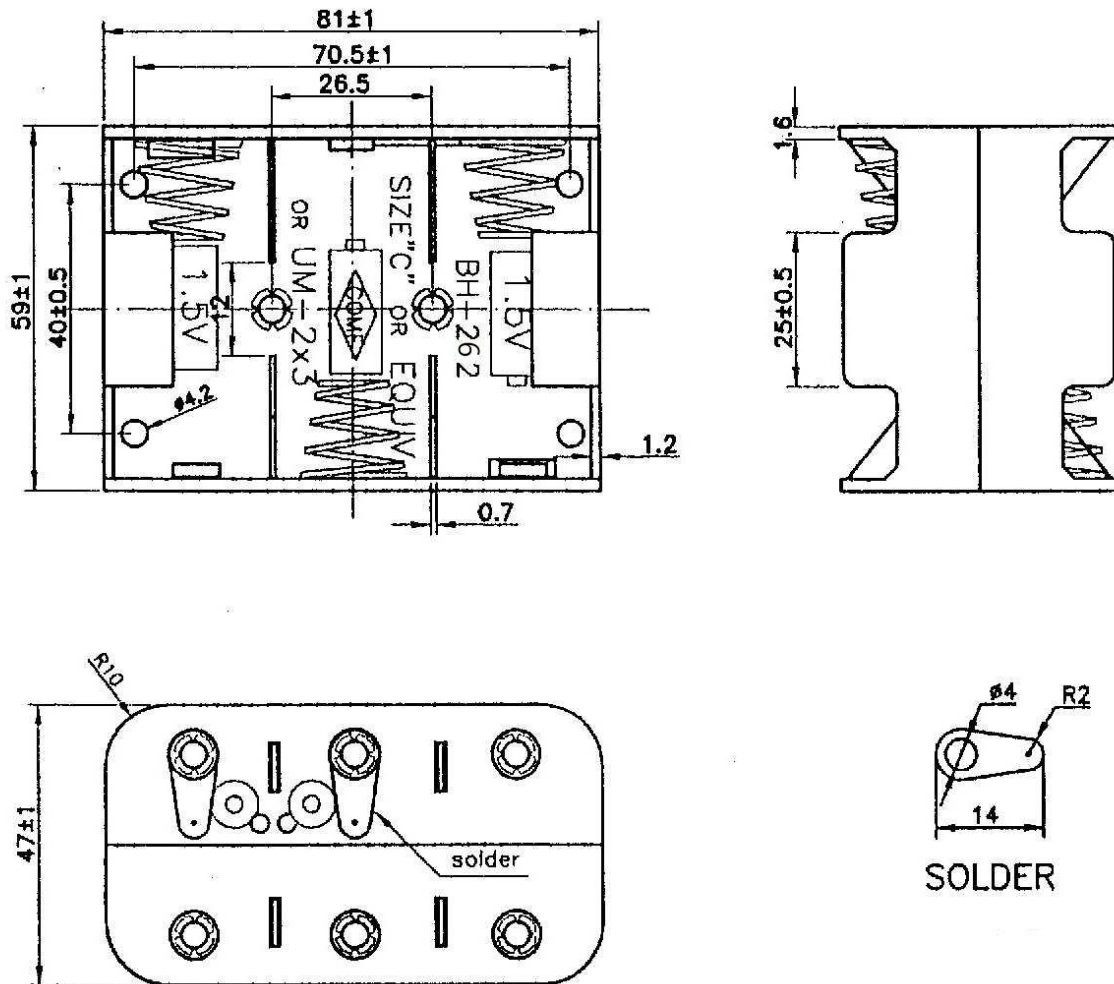
RS Pro Battery Holder



1. Preface:

The purpose of this product specification is to Dimension and drawing

C x 6 with Tag



SPECIFICATION

- (1) ITEM NO.: 1854625
- (2) WITH BIG SOLDER TERMINAL.
- (3) MATERIAL: P.P. RESIN ,
BLACK COLOR
- (4) SPRING: 0.8MM 65C ,
SPRING WIRE

Measure: mm