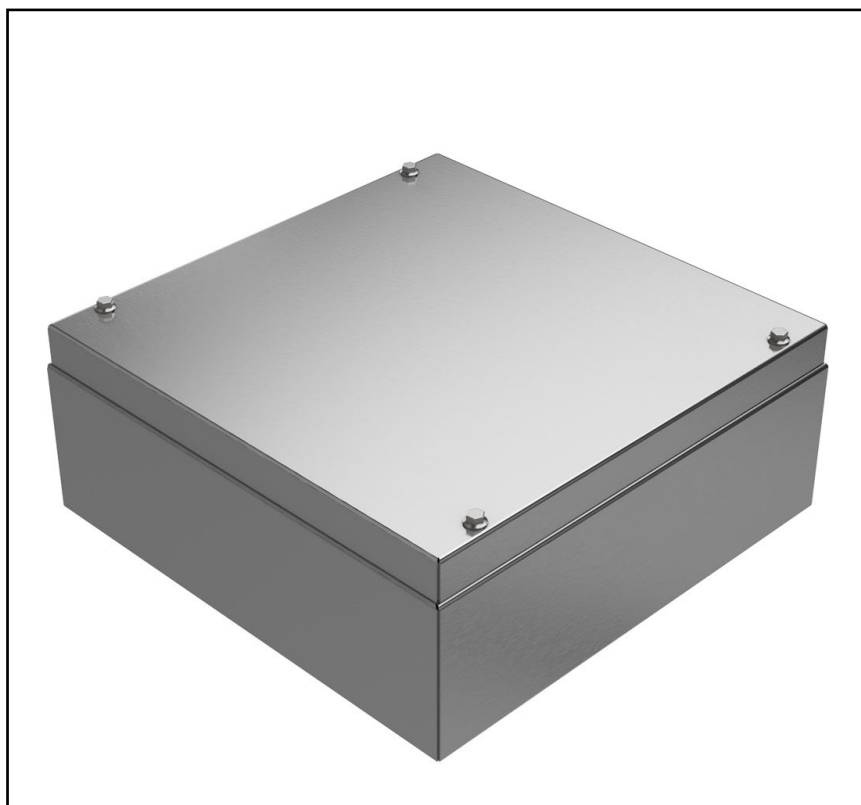


## Features

- Wide temperature range -60°C to +200°C
- Watertight solution for outdoor and indoor application
- For use in aggressive atmospheres and hygienic environments
- Enclosure base with four mounting holes
- Two retaining brackets and welding studs for mounting built-in components
- Four possible grounding points on the retaining brackets

## RS PRO Stainless Steel Enclosure, screwed lid, 300x300x120mm

RS Stock No.: 213-4054



RS PRO is the own brand of RS. The RS PRO Seal of Approval is your assurance of professional quality, a guarantee that every part is rigorously tested, inspected, and audited against demanding standards. Making RS PRO the Smart Choice for our customers.

## Product Description

The stainless steel enclosures are particularly suitable for use in aggressive atmospheres and hygienic environments. The construction of the enclosure and the surface finish also allow for optimal cleaning. The IP66 protection class makes the enclosure waterproof and reliably protects the built-in components from dust. Thus, the stainless steel enclosures are suitable for indoor and outdoor use. The closure of the enclosure and the connection between cover and base are fixed with robust screws. In addition, mounting plates and mounting rails offer the possibility of integrating built-in components in the enclosure.

## General Specifications

<b>Use</b>	General Purpose Enclosures
<b>Body Material</b>	Stainless Steel 304
<b>Colour</b>	Grinded, grain 320
<b>Lid Colour</b>	Grinded, grain 320
<b>Handheld</b>	No
<b>Flanged</b>	No
<b>Shielded</b>	No
<b>Number of Knockouts</b>	0
<b>Transparent Door</b>	No
<b>Explosion Proof</b>	No
<b>Features</b>	Screwed Lid, Chemical Resistant
<b>Cover Screws Material</b>	Stainless Steel
<b>Temperature Range (Continuous)</b>	-60 - +200°C

## Mechanical Specifications

<b>Gasket Material</b>	Silicone
<b>External Height</b>	300 mm
<b>External Length</b>	300 mm
<b>External Width</b>	120 mm
<b>External Dimension</b>	300 mm x 300 mm x 120 mm
<b>Weight</b>	3,75 kg
<b>Thickness</b>	1.25 mm

## Protection Category

<b>IP Rating</b>	IP66
<b>IK Rating</b>	IK09

## Additional Information

<b>EAN</b>	4059168301418
<b>Approvals</b>	On demand

## Similar Products

Stock No.	Brand	Product Name	Body Material	Colour	Shielded
213-4053	RS PRO	RS PRO Stainless Steel Enclosure, hinged lid, 400x200x120mm	Stainless Steel	Grinded, grain 320	No
213-4052	RS PRO	RS PRO Stainless Steel Enclosure, screwed lid, 400x200x120mm	Stainless Steel	Grinded, grain 320	No
213-4056	RS PRO	RS PRO Stainless Steel Enclosure, screwed lid, 400x300x120mm	Stainless Steel	Grinded, grain 320	No