



ENGLISH

Datasheet

8 ohm, 1W, 23mm Miniature Speaker, 180mm Lead Length

RS Stock number [724-3112](#)



Specification:

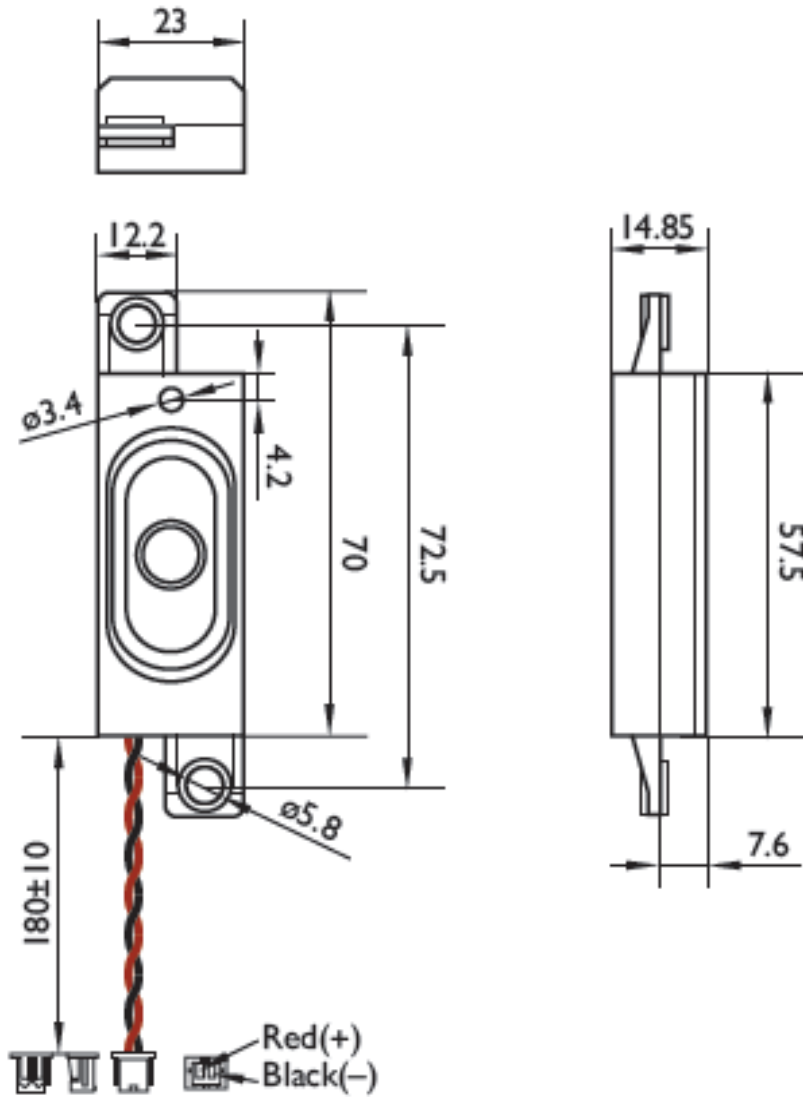
- Rated impedance $8\pm 15\% \Omega$
- Rated power 1.0W
- Maximum power 2.0W
- Resonant frequency $700\pm 20\% \text{Hz}/1\text{V}$
- Rated sound output at 1W/1M - 0.8,1.0,1.2,1.5KHz $98\pm 3\text{dB}$
- Frequency range f0-20KHz
- Cone material Paper and cloth
- Housing material ABS
- Wire UL1571, AWG28#
- Connector Molex 51021-0200 equivalent
- Weight 28g

Features:

- ROHS compliant Easy to mount and fix
- Wires fitted with Molex style connector
- Pre-moulded case with wires attached

All data at 25°C unless otherwise specified

Dimensions:



Dimensions Unit: mm Tolerance: ± 0.5 mm