



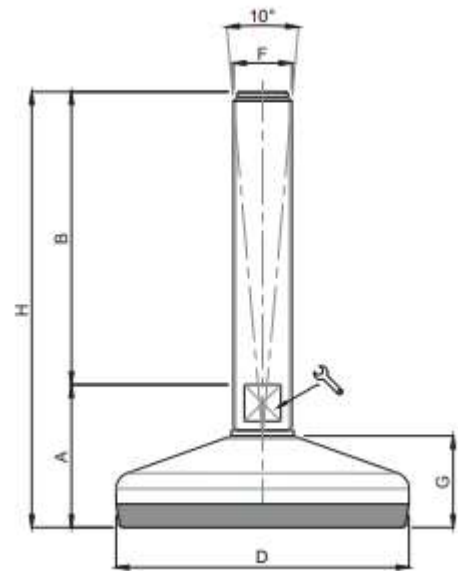
ENGLISH

RS PRO Stainless Steel Height Adjustable Mount

The RS Pro Height Adjustable mounts are used for levelling and support in many applications including lathes, milling machines, machining centers and conveyor systems.

These mounts are specifically often used in food, packaging, beverage and pharmaceutical industries.

The base rubber is made of oil resistant NBR to an FDA approved standard, with 304 Stainless Steel.



Article Number	A (mm)	B (mm)	D (mm)	F	G (mm)	H (mm)	Static Load (kg)	Metal Type	Articulation (Degrees)
2245802	42	150	100	M16	28	192	1500	Stainless Steel 304	10