



EN

Datasheet

RS PRO NYLON-INSULATED CORD END

TERMINALS

Stock number: 178-7328

MAXIMUM ELECTRIC CURRENT:

| | |
|--------|----|
| A.W.G. | 8 |
| AMP. | 70 |

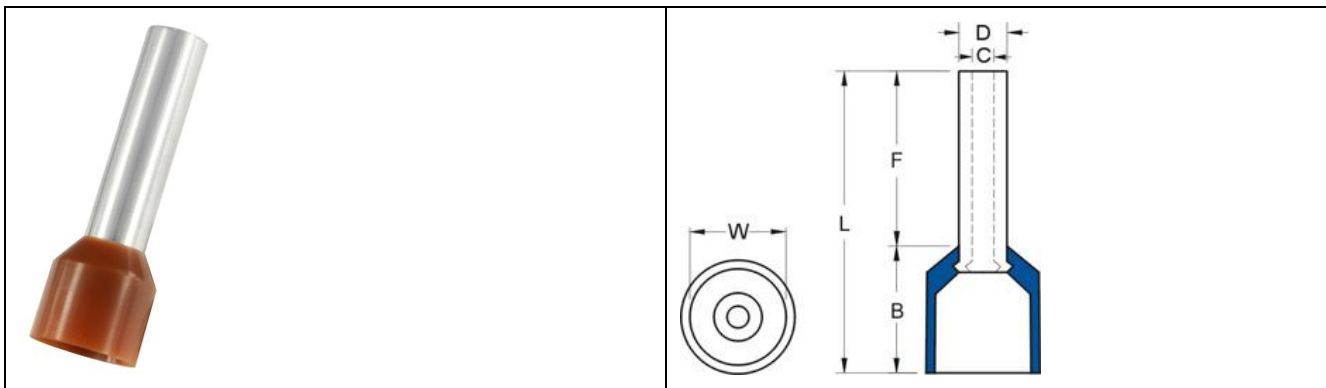
MAXIMUM ELECTRICAL RATING: 105° C 600 VOLTS MAX.

INSULATION MATERIAL: NYLON

TERMINAL MATERIAL: COPPER TUBE

SURFACE TREATMENT: TIN PLATE

INSULATION COLOR: BROWN



| WIRE RANGE A.W.G. mm ² | ITEM NO. | DIMENSION inch(mm) | | | | | |
|---|----------|--------------------|-------|-------|-------|-------|-------|
| | | F | L | W | B | D | C |
| 8 A.W.G. | 178-7328 | 0.709 | 1.102 | 0.299 | 0.346 | 0.193 | 0.177 |
| 10 mm ² | | 18 | 28 | 7.6 | 8.8 | 4.900 | 4.5 |