



EN

Datasheet

RS PRO NYLON-INSULATED CORD END TERMINALS

Stock number: 178-7307

MAXIMUM ELECTRIC CURRENT:

| | |
|--------|----|
| A.W.G. | 16 |
| AMP. | 18 |

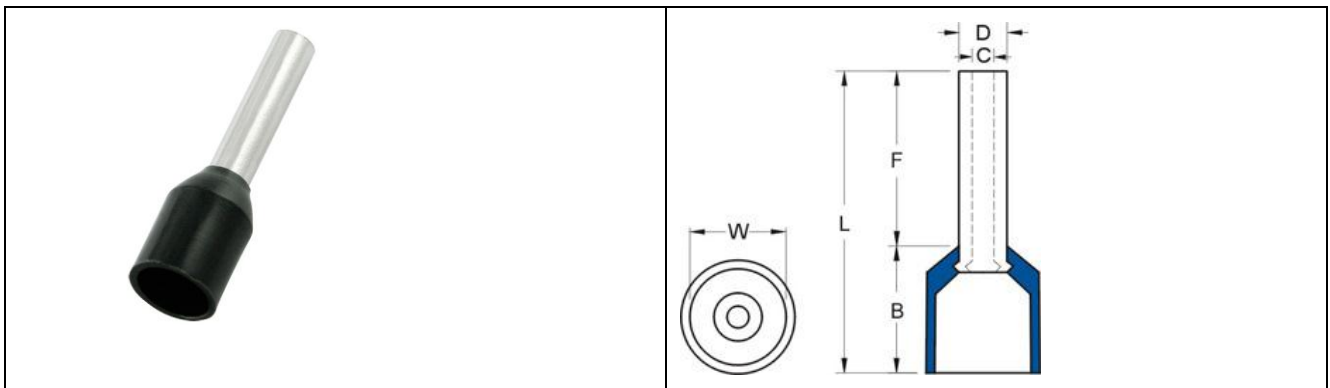
MAXIMUM ELECTRICAL RATING: 105° C 600 VOLTS MAX.

INSULATION MATERIAL: NYLON

TERMINAL MATERIAL: COPPER TUBE

SURFACE TREATMENT: TIN PLATE

INSULATION COLOR: BLACK



| WIRE RANGE A.W.G. mm ² | ITEM NO. | DIMENSION inch(mm) | | | | | |
|---|-----------------------------------|--------------------|-------|-------|-------|-------|-------|
| | | F | L | W | B | D | C |
| 16 A.W.G. | <input type="checkbox"/> 178-7307 | 0.236 | 0.484 | 0.138 | 0.248 | 0.079 | 0.067 |
| 1.5 mm ² | | 6 | 12.3 | 3.5 | 6.3 | 2.000 | 1.7 |