

## Datasheet

### Anti Surge T LBC Fuse, 2.5A, 5x20mm

RS Stock number [563-627](#)



### Specifications:

#### Materials

Glass body/nickel plated brass caps

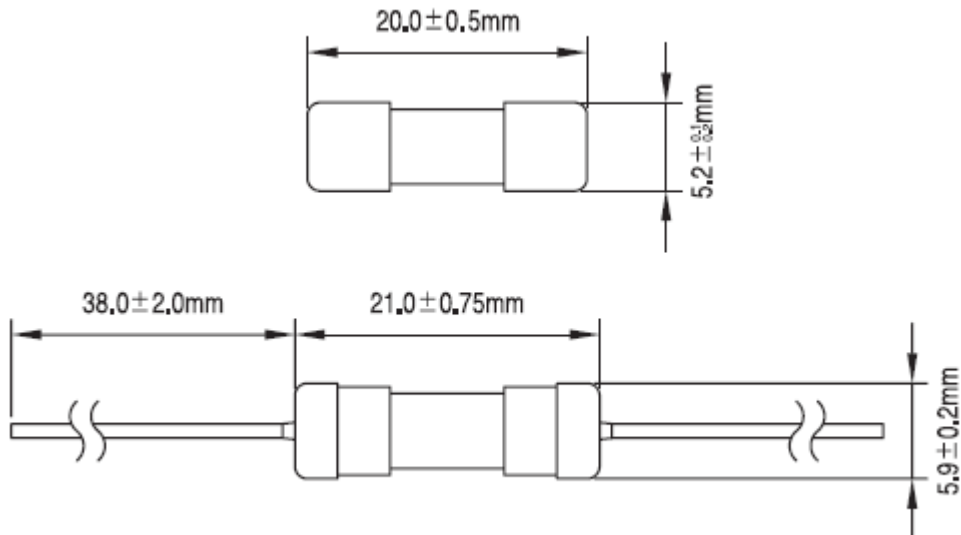
Lead wire: Tin-lead plated copper, Diameter  $\varnothing$ 0.8mm.

#### Interrupting Ratings

35 amperes or 10 in rated current; whichever is greater.

#### Operating Temperature

-55°C to + 125°C

**Drawing (mm):**

**Electrical Characteristic:**

Rated Current	1.5In		2.1In		2.75 In		4 In		10 In	
	MIN	MAX	MIN	MAX	MIN	MAX	MIN	MAX	MIN	MAX
63mA~100mA	60 min	2 min	200 ms	10 sec	40 ms	3 sec	10 ms	300 ms		
125mA~6.3A	60 min	2 min	600 ms	10 sec	150 ms	3 sec	20 ms	300 ms		
8A~10A	30 min	2 min	600 ms	10 sec	150 ms	3 sec	20 ms	300 ms		