



# Datasheet

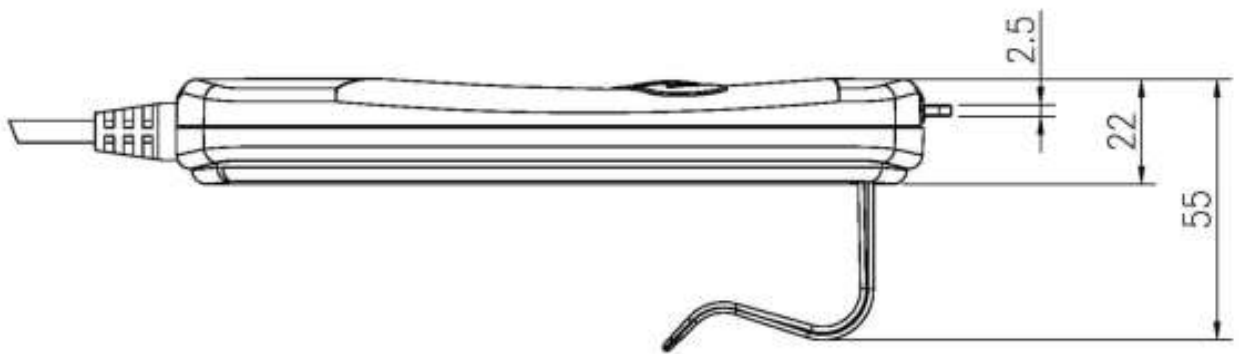
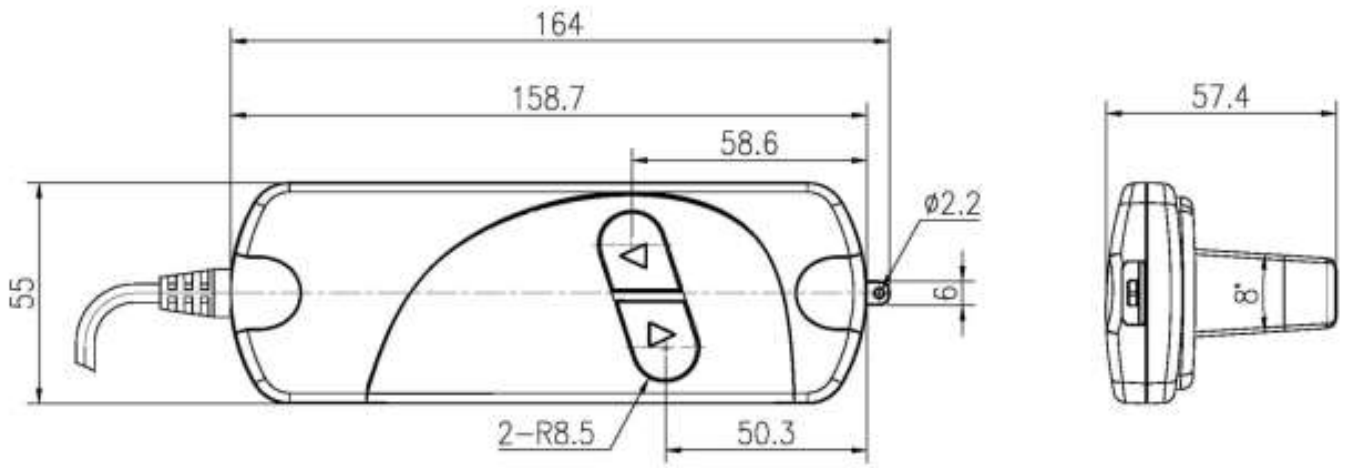
## RS PRO

Stock number: 1774527

EN



- ◆ HB handset is able to connect with the T- control (1774523)  
number of motors this handset can drive : 1
- ◆ Available number of buttons : 2
- ◆ Colour : Black
- ◆ Cable type and length : total 880mm long with 420mm spiral cable
- ◆ LED Indicator : Green
- ◆ With hook for easy placement



Unit: mm

# Ordering Key

**HB – 2 – 1 – 00 – H50**

**Number of button**

2 : 2 buttons

**Number of Motors**

1 : 1 actuator

**Function**

00 : Standard

**Hook**

H50 : Hook (50mm gap)