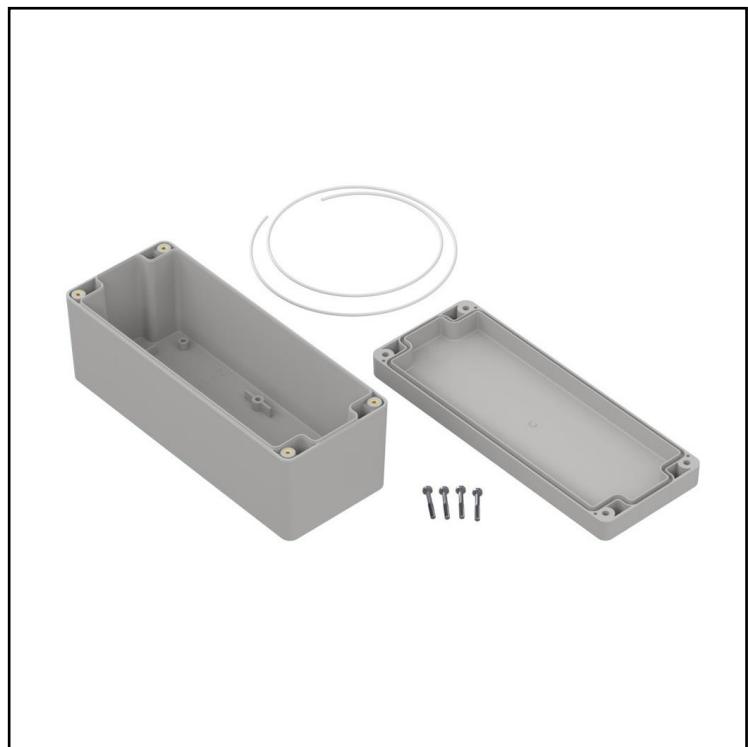


## FEATURES

- Made of ABS
- Available in light gray colour
- Protection against liquids and solid objects: IP65 rating
- Supplied with silicone gasket and four screws
- Threaded brass inserts for reliable assembly.

## RS PRO Hermetic Enclosures

RS Stock No.: 2384048



## Family Name

RS Professionally Approved Products bring to you professional quality parts across all product categories. Our product range has been tested by engineers and provides a comparable quality to the leading brands without paying a premium price.

### Product Description

*Hermetic enclosure ideal for applications requiring protection against water ingress. Supplied with silicon gasket that provides IP65 rating. Lid manufactured with recess for membrane keypads and overlays. Threaded brass inserts ensures reliable assembly of the enclosure.*

### General Specifications

<b>Type</b>	Full
<b>Material</b>	ABS
<b>Colour</b>	Lightgray
<b>Accessories</b>	Screw M3 17/10 – 4 psc
<b>Mounting</b>	Internal wall mount

### Mechanical Specifications

<b>Height</b>	75.3 mm
<b>Width</b>	75.1 mm
<b>Length</b>	191.75 mm
<b>Gasket</b>	Silicone Gasket

### Protection Category

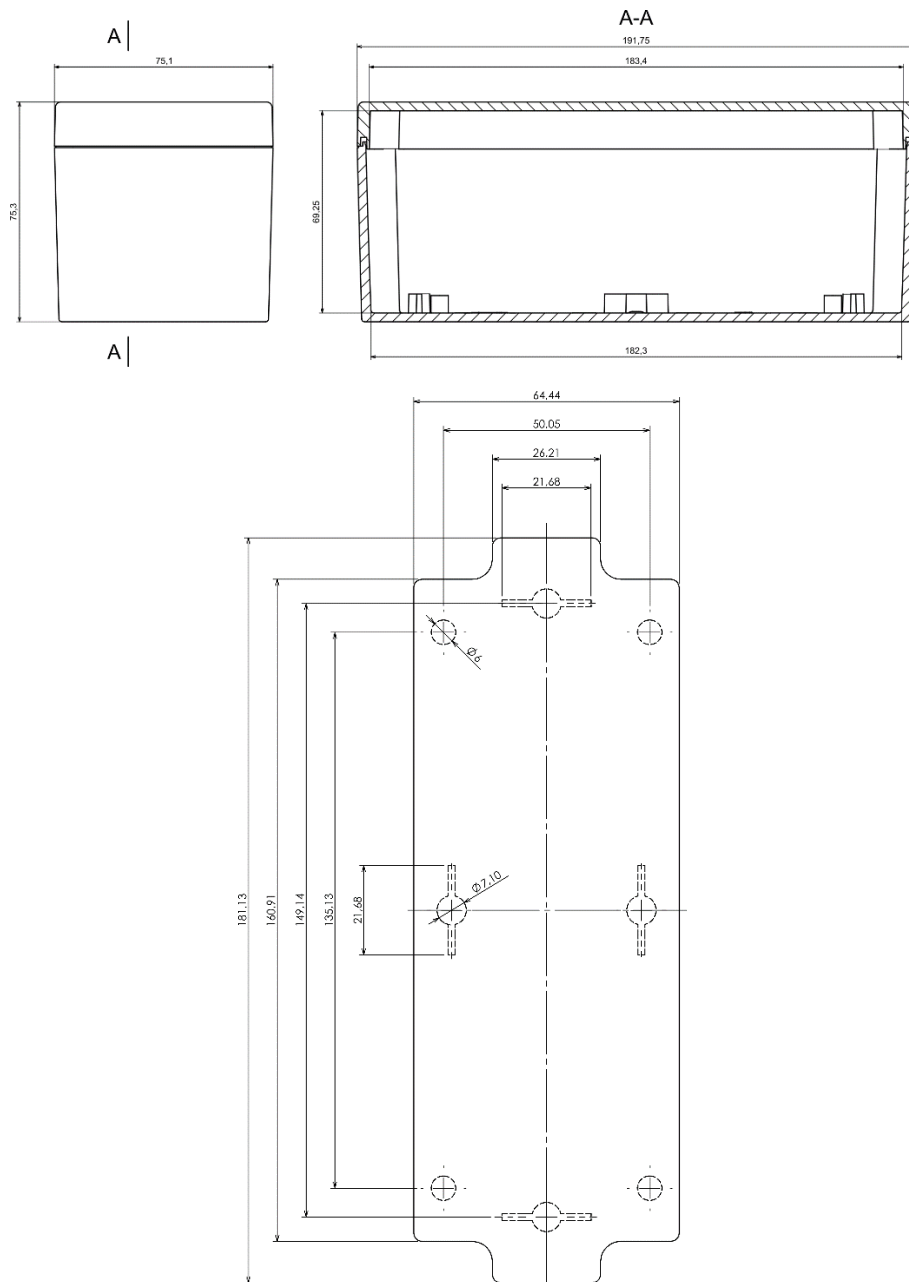
<b>Protection level</b>	IP65
-------------------------	------

### Approvals

<b>Declarations</b>	CE
<b>Standards Met</b>	RoHS Compliant

**Similar Products**

Stock No.	Brand	Product Name	Colour	Material
1920700	RS PRO	Hermetic	Lightgrey	ABS
1920702	RS PRO	Hermetic	Lightgrey	ABS





---

Dashed line shows outline of the mounting boss under PCB board  
Recommended mounting holes diameter  $\varnothing 4\text{mm}$   
All dimensions are given within  $\pm 0,5\text{mm}$  tolerance