



Datasheet

RS PRO Enclosure for power supplies

Stock number: 1920800

EN



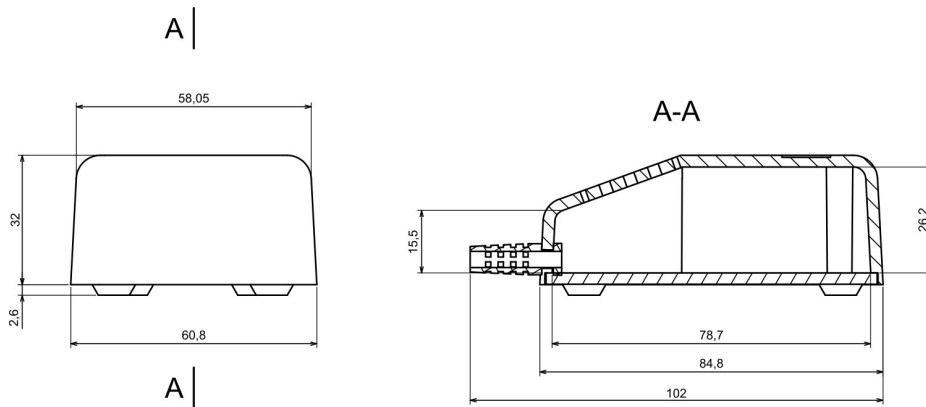
Product Details

Two-part enclosure is made of black ABS. The enclosure is ventilated for better air circulation it provides IP20 and IK03 rating it is ideal for applications that doesn't require hermetic seal.

Features and Benefits

- Made of ABS
- Available in black color
- Protection against liquids and solid objects: IP20 rating
- Shock protection level: IK03
- Sleeves for cable protection

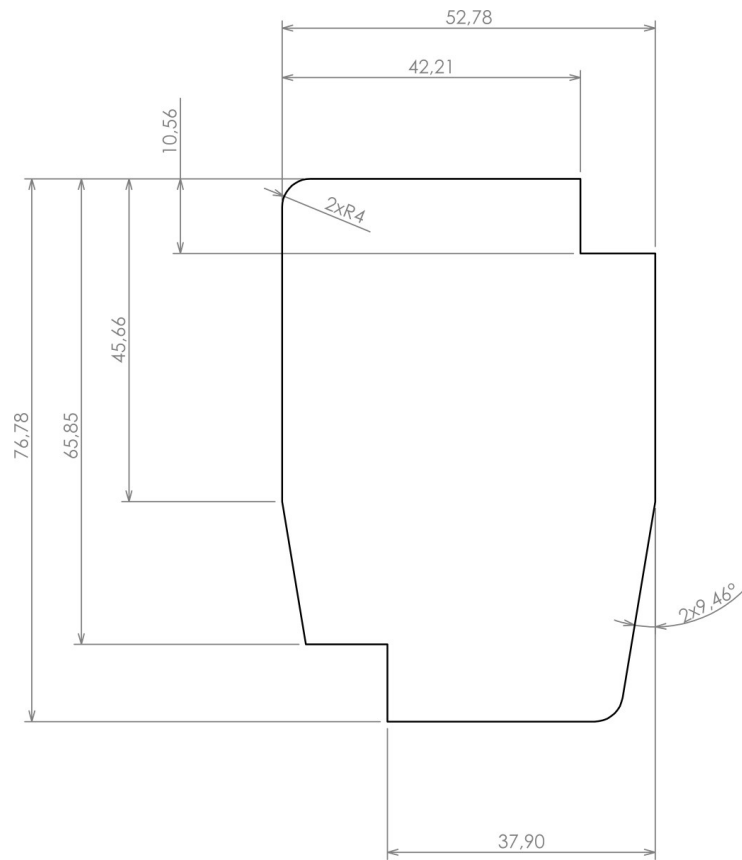
rspro.com



Category	Enclosures for power supplies
Type	Ventilated
Material	ABS
Variant	Without gasket
Height	32.0 mm
Width	60.8 mm
Length	84.8 mm
Color	Black
Protection level	IP20
Shock protection level	IK03
Standards Met	RoHS Compliant
Accessories	Screw 3/13: 2.0 pcs Sleeve ϕ 4: 1.0 pcs
Certificate number	CE/031/18



Max PCB size



Dashed line shows outline of the mounting boss under PCB board
Recommended mounting holes diameter $\varnothing 3,5\text{mm}$
All dimensions are given within $\pm 0,5\text{mm}$ tolerance