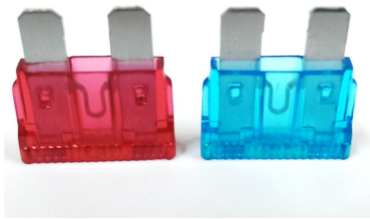


Datasheet

Blade Type Fuse For Automotive Circuit Protection

Stock No: 1778054, 1778055, 1778010

RS Pro



Specifications:

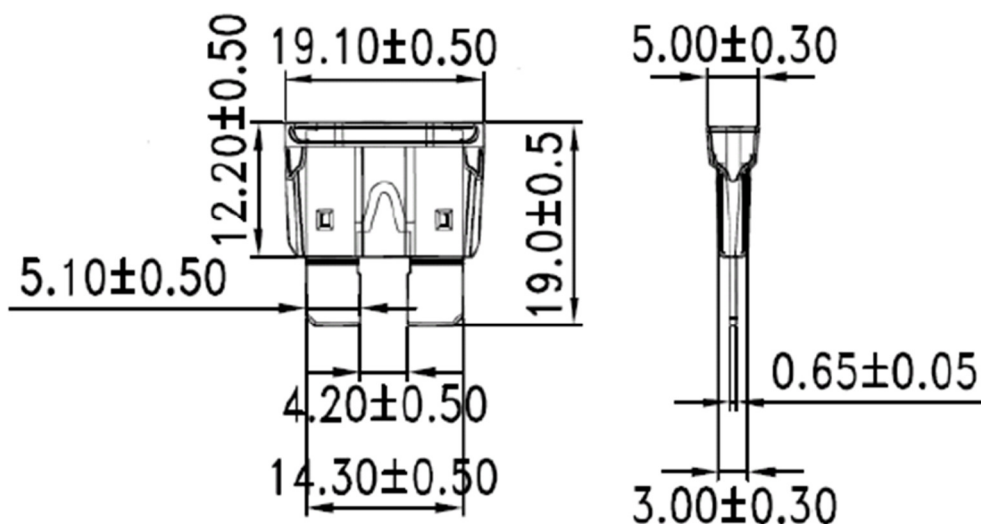
Materials

Plastic
Zinc alloy

Operating Temperature

-20°C to +105°C

Drawing (mm):





Electrical Characteristic:

ENGLISH

| | 100% Rated current | | 160% Rated current | | 200% Rated current | | 350% Rated current | |
|----------------------|--------------------|------|--------------------|--------|--------------------|-------|--------------------|---------|
| | Min. | Max. | Min. | Max. | Min. | Max. | Min. | Max. |
| Rated current | | | | | | | | |
| 3-30A | 4 Hrs | | 0.25 Sec | 50 Sec | 0.15 Sec | 5 Sec | 0.08 Sec | 0.5 Sec |

| Ampere Rating | Body Color | Voltage Rating |
|---------------|------------|----------------|
| 3A | VIOLET | 32V |
| 5A | TAN | 32V |
| 7.5A | BROWN | 32V |

Reference:

| Stock No | Rating amperes |
|----------|----------------|
| 1778054 | 3A 32V |
| 1778010 | 5A 32V |
| 1778055 | 7.5A 32V |