



725-5547 725-5550
725-5557 725-5569

① WIRING DIAGRAM FOR
3 PHASE SUPPLY WITH
230V COIL

MFRS PART NOS:
YD11230
YD15230
YD22230
YD30230

② INCOMING TPN SUPPLY

N L1 L2 L3

KEY

③ CONTROL WIRING ALREADY INCLUDED —

STAR-DELTA LINKS ALREADY INCLUDED —

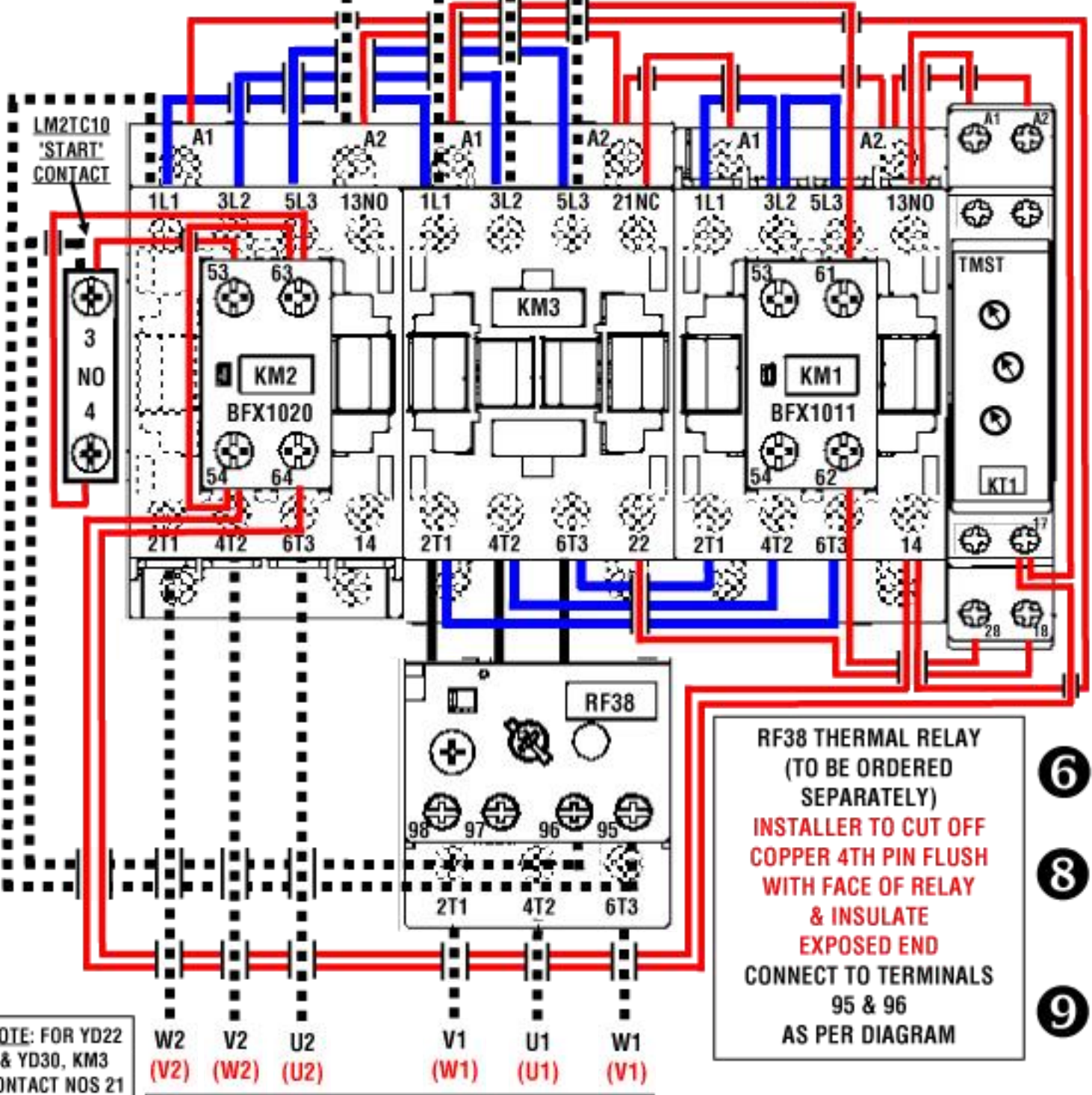
④ CONNECTIONS TO BE MADE BY INSTALLER - - - - -

WARNING

TO PREVENT RISK OF DAMAGE OR SAFETY HAZARDS, THIS EQUIPMENT SHOULD ONLY BE INSTALLED BY SUITABLY QUALIFIED OR COMPETENT PERSONS AND IN ACCORDANCE WITH ALL APPLICABLE ELECTRICAL REGULATIONS

⑤

LSTAR005 1GB DP 10 10



RF38 THERMAL RELAY
(TO BE ORDERED SEPARATELY)
INSTALLER TO CUT OFF COPPER 4TH PIN FLUSH WITH FACE OF RELAY & INSULATE EXPOSED END
CONNECT TO TERMINALS 95 & 96 AS PER DIAGRAM

⑥

⑧

⑨

NOTE: FOR YD22 & YD30, KM3 CONTACT NOS 21 & 22 ARE REPLACED WITH KM3 CONTACT NOS 61 & 62

OUTGOING MOTOR CONNECTIONS

(CONNECTIONS FOR SHOWN IN RED)

⑩

W2 V2 U2
(V2) (W2) (U2)

V1 U1 W1
(W1) (U1) (V1)