



ENGLISH

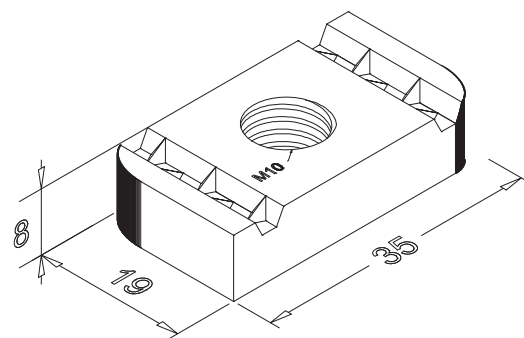
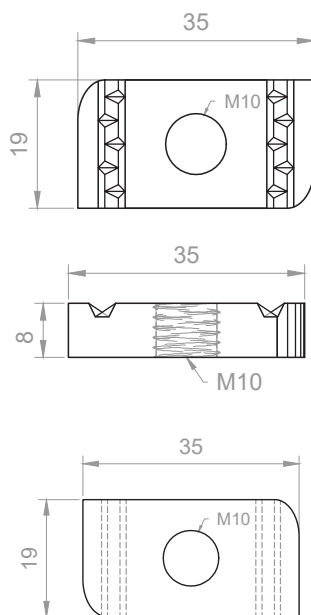
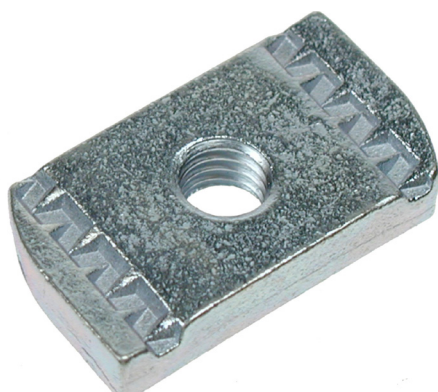
Datasheet

## Plain Channel Nuts Bright Zinc Plated

RS Stock No **1766936**

Size **M10**

Channel nuts are commonly used for fitting brackets to channel/Strut, and are the ideal fixing for drops of threaded rod.



Please view our full range listing below

RS Stock No	Size (mm)
1766942	M6
1766939	M8
1766936	M10
1766933	M12