

Stainless Steel Threaded End Gate Valves 200 PSI

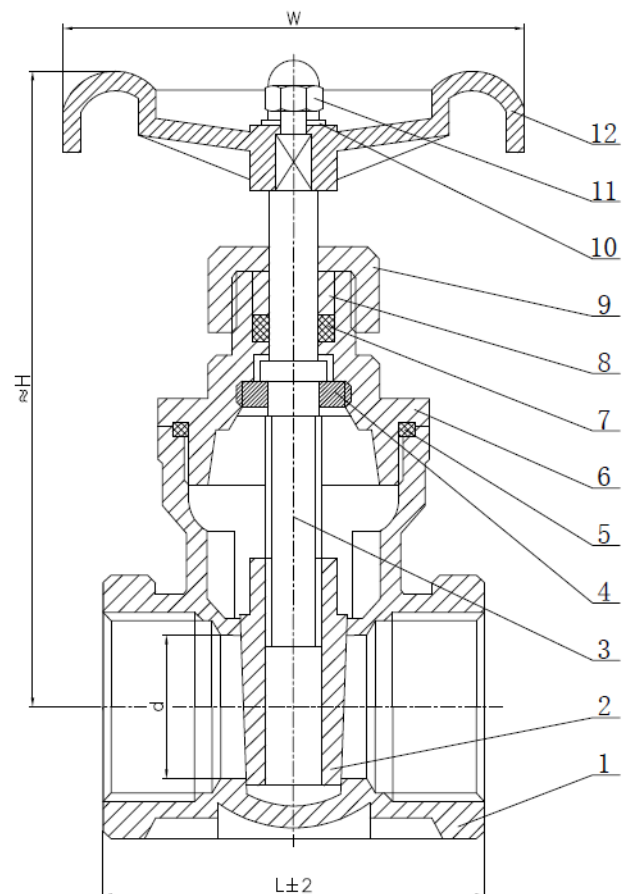
Features

- Threaded End: BSPP, NPT
- Size: 1/2" – 2" (DN15 – DN50)
- Valve Body Material: SS316
- Working Pressure: 200 PSI
- Applicable Medium: General oil, gas and water applications
- Temperature Range: -29°C to 150°C



Material List

No.	Part Name	Material
1	Body	A351 CF8/CF8M
2	Wedge	A351 CF8/CF8M
3	Stem	SS316
4	Stem Holder	SS316
5	Gasket	PTFE
6	Bonnet	A351 CF8/CF8M
7	Packing	PTFE
8	Ring	SS316
9	Cap	A351 CF8/CF8M
10	Gasket	SS304
11	Nut	SS304
12	Handwheel	ZL101



Technical Specifications

1. Basic design and manufacture according to ASME B16.34
2. Inspection and test for according to API 598
3. Connection screw for the valve according to ASME B1.20.1, BS2779

Main Technical Parameter			
Nominal Pressure		200 PSI	
Test Pressure	Shell Test	2.1	MPa
	Seal Test	1.6	
	Gas Test	0.6	
Max Working Temperature		-29°C to 150°C	
Applicable Medium: General oil, gas & water			

Ordering Information

VL - S - GA - N - 200 - 08
 I II III IV V VI

I Type of Item

VL Low Pressure Valves

II Material Grade

S SS316, CF8M CI Cast Iron
 FS Forged Steel CS Cast Steel
 B Brass

III Item

GA Gate Valve B1 1 PC Ball Valve
 GL Globe Valve B2 2 PC Ball Valve
 YS Y-Strainer B3 3 PC Ball Valve
 SC Swing Check Valve BL 3 Way Ball Valve L Port
 VC Vertical Check Valve BT 3 Way Ball Valve T Port
 WC Wafer Check Valve BMF Male x Female Mini Ball Valve
 DD Dual Disk BU Butterfly Valve

IV Connection Type

SW S/W G BSPP
 BW B/W N NPT
 R BSPT F Flange End
 W Wafer L Lug

V Pressure

200 200 PSI 2000 2000 PSI
 300 300 PSI 150 ANSI 150# Flange Standard
 600 600 PSI 10K JIS 10K Flange Standard
 800 800 PSI PN16 PN 16 Flange Standard
 1000 1000 PSI

For Inch OD & Inch NB Sizes

VI Size

Size	1/8"	1/4"	5/16"	3/8"	1/2"	5/8"	3/4"	1"
Code	02	04	05	06	08	10	12	16
Size	1 1/4"	1 1/2"	2"	2 1/2"	3"	4"	5"	6"
Code	20	24	32	40	48	64	80	96

VII Coating

(None) No Additional Coating
 NI Nickel Plating

Dimension List

NPS	d	L	H	W	Weight (Kg)
1/2"	13.7	55	95	70	0.37
3/4"	18.3	60	102	70	0.47
1"	24.2	65	115	80	0.59
1 1/4"	25.3	75	130	80	0.82
1 1/2"	31.6	80	145	100	1.16
2"	44.5	95	170	100	1.64

Part Number Reference

Part No	Description
VL-S-GA-G-200-08	1/2"BSPP SS316 GATE VALVE 200 PSI
VL-S-GA-G-200-12	3/4"BSPP SS316 GATE VALVE 200 PSI
VL-S-GA-G-200-16	1"BSPP SS316 GATE VALVE 200 PSI
VL-S-GA-G-200-20	1 1/4"BSPP SS316 GATE VALVE 200 PSI
VL-S-GA-G-200-24	1 1/2"BSPP SS316 GATE VALVE 200 PSI
VL-S-GA-G-200-32	2"BSPP SS316 GATE VALVE 200 PSI
VL-S-GA-N-200-08	1/2"NPT SS316 GATE VALVE 200 PSI
VL-S-GA-N-200-12	3/4"NPT SS316 GATE VALVE 200 PSI
VL-S-GA-N-200-16	1"NPT SS316 GATE VALVE 200 PSI
VL-S-GA-N-200-20	1 1/4"NPT SS316 GATE VALVE 200 PSI
VL-S-GA-N-200-24	1 1/2"NPT SS316 GATE VALVE 200 PSI
VL-S-GA-N-200-32	2"NPT SS316 GATE VALVE 200 PSI