

FEATURES

- Metric threaded
- Completely sealed against dust
- Excellent water resistance
- Made with high quality Nylon 66
- Black and white versions available

RS PRO M12 Cable Gland with Locknut, Nylon, IP68

RS Stock No.: 669-4642



RS Professionally Approved Products bring to you professional quality parts across all product categories. Our product range has been tested by engineers and provides a comparable quality to the leading brands without paying a premium price.

Product Description

Brought to you by RS PRO, a range of metric threaded cable glands offering excellent strain relief and cable protection. Cable glands allow you to mount a cable into a pre-drilled hole. Commonly used within construction and by electrical engineers, cable glands are simple and easy to use. Each gland is rated as IP68, ensuring the level of cable protection is incredibly resilient to the outdoors and other harsh environments. All models are highly reliable and excellent quality.

General Specifications

Thread Size	M12 x 1.25mm
Material	Nylon 66
Colour	White
Locknut Included	Yes
Application	Machinery with delicate internals, Telecommunications, Flow meters, Underwater power generators

Mechanical Specifications

Maximum Cable Diameter	6.5mm
Minimum Cable Diameter	3mm
Thread Length L2	19.6 ±0.35mm
Seals B1	6.9 ± 0.25mm
Protrusion Length L1	7.9 ± 0.25mm
Nut L3	13.6 ± 0.35mm
Locknut Spanner size	17 ± 0.35mm
Locknut thickness	5.2 ± 0.25mm
Thread inner diameter D2	8.3 ± 0.25mm

Operation Environment Specifications

Minimum Operating Temperature	-60°C
Maximum Operating Temperature	85°C
Operating Temperature Range	-60 to +85°C

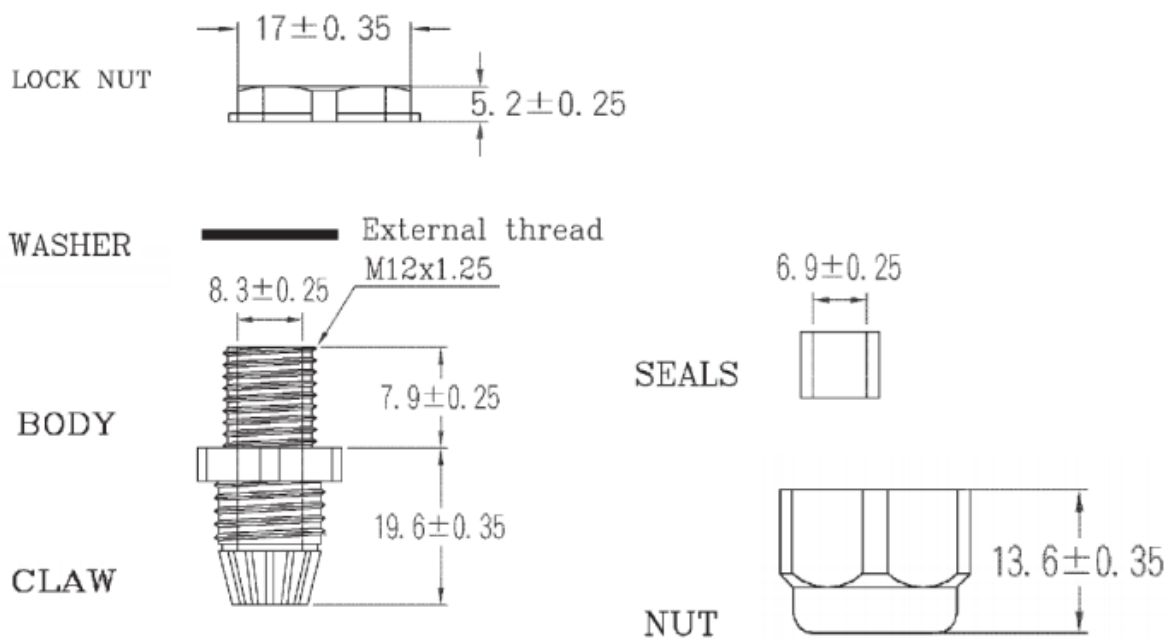
Protection Category

IP Rating	IP68
------------------	------

Approvals

Compliance/Certifications	EN 61340
Standards Met	UL 94 V-2





Dimension – mm