



ENGLISH

Datasheet

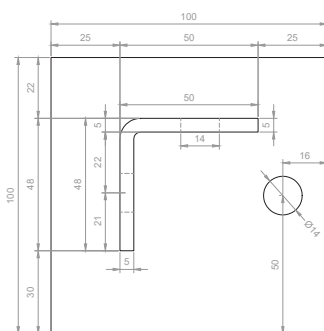
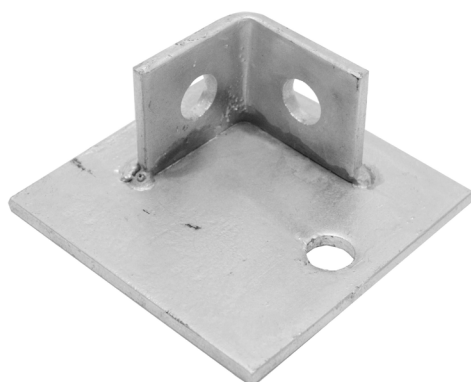
Base Plates

Hot Dipped Galvanised

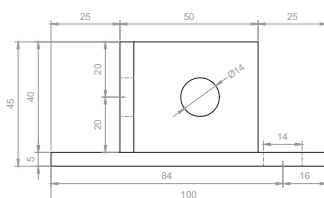
RS Stock No **1766913**

Size **40mm**

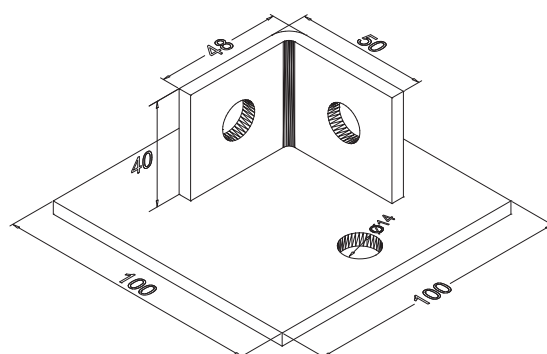
Provides a stable base when constructing Channel/Strut framework



TOP VIEW



FRONT VIEW



Please view our full range listing below

RS Stock No Size (mm)

1766913 40mm