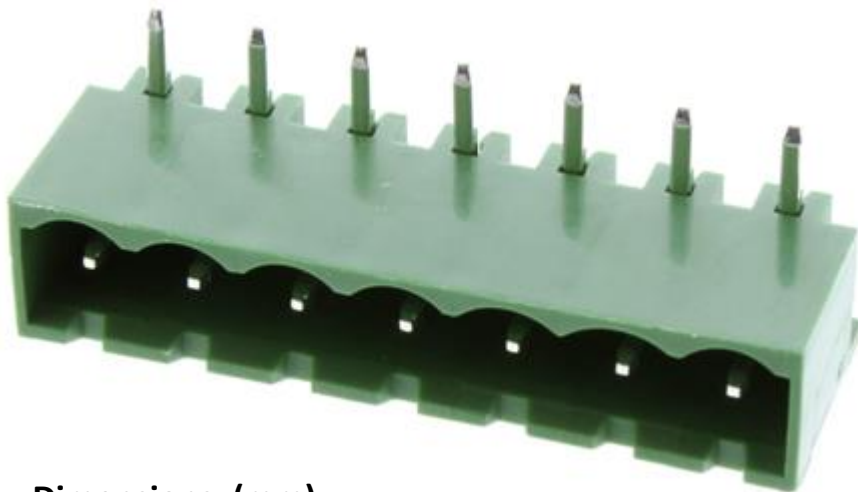


# Datasheet

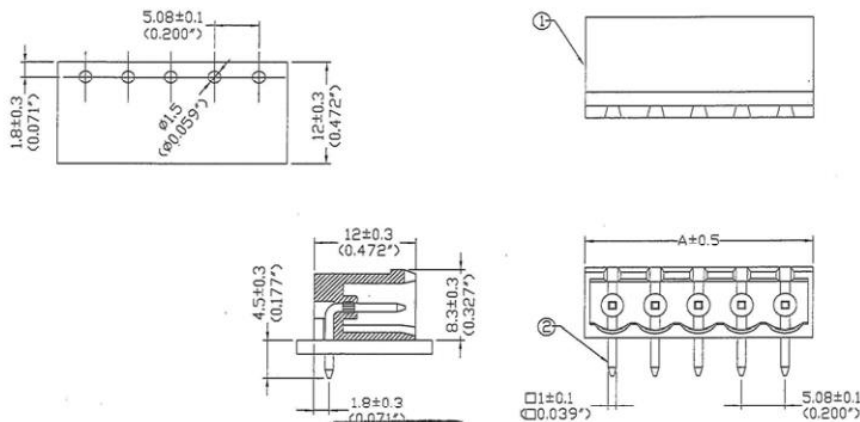
## 7 way 5.08mm terminal block header

RS Stock 790-1017



### Dimensions: (mm)

#### PCB Layout



### Specification

- Current Rating: 16Amp AC300V
- Insulation Withstands Volts: AC2000V Min
- Insulation Resistance:  $>2000M \ \Omega$  DC500V
- Operation Temperature:  $-40^{\circ}C$  to  $+105^{\circ}C$

### Material

- Insulating Body: Polyamide 66 (UL94V-0)
- Solder Pin: Brass / Finish: Tin Plating