

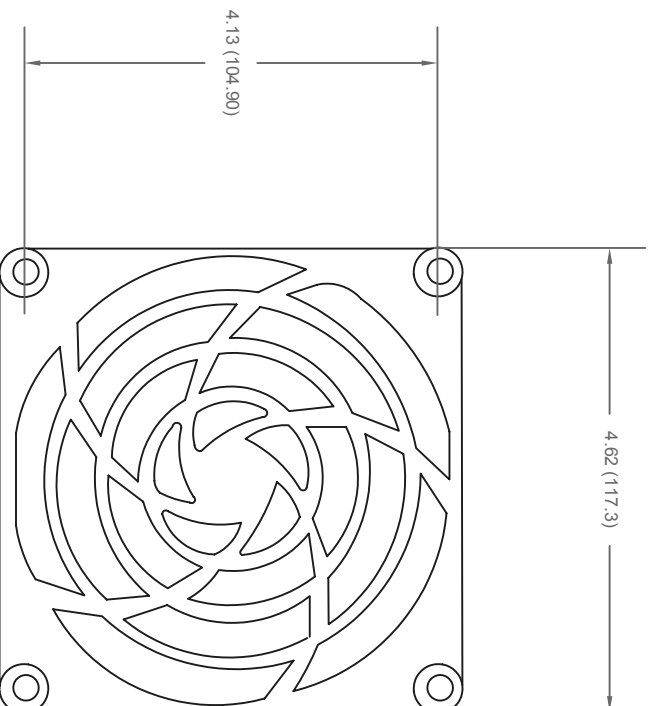
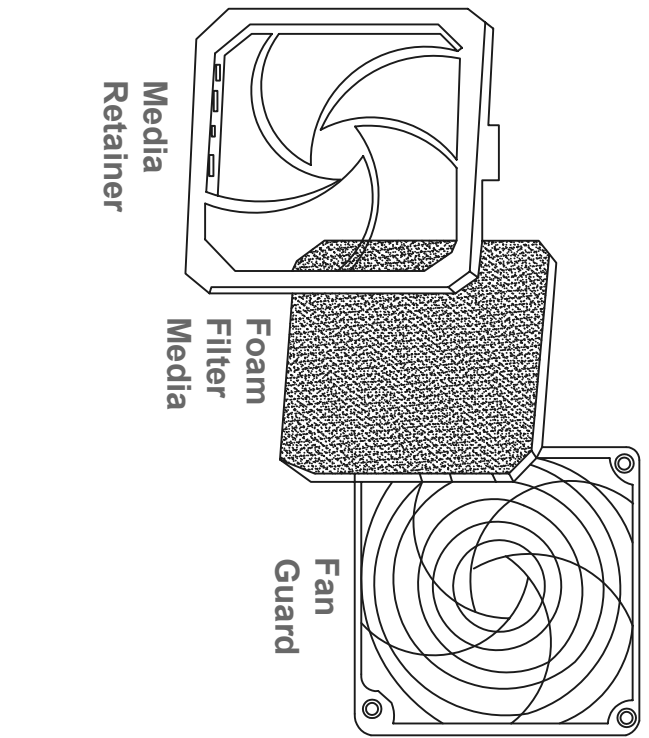
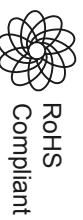
ALL RIGHTS RESERVED. NO PORTION OF THIS PUBLICATION, WHETHER IN WHOLE OR IN PART CAN BE REPRODUCED WITHOUT THE EXPRESS WRITTEN CONSENT OF SPC TECHNOLOGY.

SPC-F005.DWG

REVISIONS

DCP #	REV	DESCRIPTION	DRAWN	DATE	CHECKD	DATE	APPRVD	DATE
			JAG	19-10-10	M/RD	19-10-10	XXX	02-11-10

DOC. NO. SPC-F005 * Effective: 7/8/02 * DCP No: 1398



Notes:

Material : UL94-VO Products
Media : Polyurethane Foam UL94HF-1.30PP1

Part Number Table

Description	Part Number
Filter Assembly	MC32660

Dimensions : Inches (mm)

TOLERANCES:

UNLESS OTHERWISE SPECIFIED, DIMENSIONS ARE FOR REFERENCE PURPOSES ONLY.

DISCLAIMER:

ALL STATEMENTS AND TECHNICAL INFORMATION CONTAINED HEREIN ARE BASED UPON INFORMATION AND/OR TESTS WE BELIEVE TO BE ACCURATE AND RELIABLE. SINCE CONDITIONS OF USE ARE BEYOND OUR CONTROL, THE USER SHALL DETERMINE THE SUITABILITY OF THE PRODUCT FOR THE INTENDED USE AND ASSUME ALL RISK AND LIABILITY WHATSOEVER IN CONNECTION THEREWITH.

DRAWN BY:

JAG

DATE:

19-10-10

CHECKED BY:

M/RD

DATE:

19-10-10

APPROVED BY:

XXX

DATE:

02-11-10

DRAWING TITLE:

Filter Assembly

SIZE:

A

DWG. NO.:

MC32660

ELECTRONIC FILE:

56P2937

REV

A

SCALE:

NTS

U.O.M.:

Millimeters

SHEET:

1

OF

1