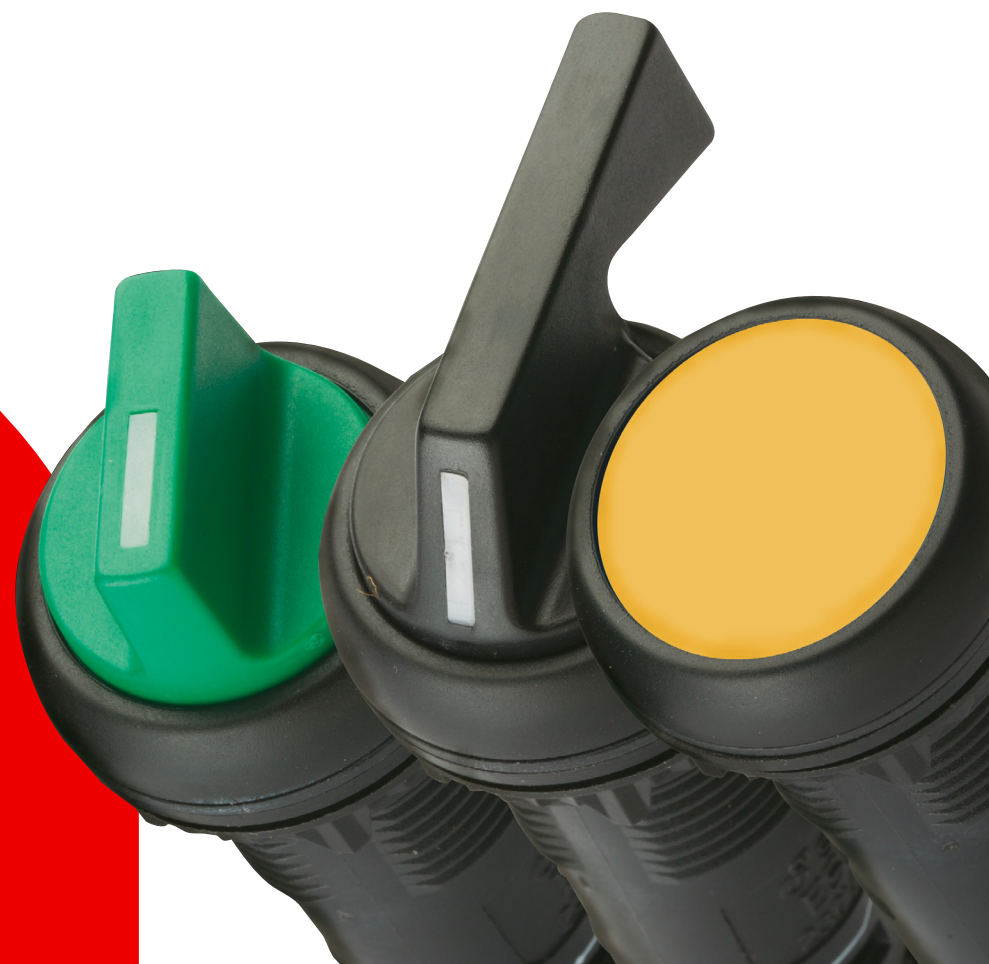




22MM CONTROL & SIGNALLING DEVICES

SELECTION GUIDE



CONTENTS

INTRODUCTION	2
PLASTIC MODULAR SERIES	3
ILLUMINATED SELECTOR SWITCH HEADS – 2 OR 3 POSITION	3
SELECTOR SWITCH HEADS – 2 OR 3 POSITION	4
EXTENDED/PUSH BUTTON HEADS - NON-ILLUMINATED	5
FLUSH PUSH BUTTON HEADS – PRINTED/NON-ILLUMINATED	6
KEY SWITCH HEADS – 2 OR 3 POSITION	7
DOUBLE PUSH BUTTON HEAD	8
INDICATOR LIGHT HEADS - ILLUMINATED	9
CONTACT BLOCKS	10
LIGHT BLOCKS	11
PLASTIC MONOBLOCK SERIES	12
FLUSH PUSH BUTTONS – NON-ILLUMINATED	12
SELECTOR SWITCHES – 2 OR 3 POSITION	13
KEY SWITCHES – 2 OR 3 POSITION	14
METAL MODULAR SERIES	15
FLUSH/RAISED PUSH BUTTON HEADS - NON-ILLUMINATED	15
SELECTOR SWITCH HEADS – 2 OR 3 POSITION	16
KEY SWITCH HEADS – 2 OR 3 POSITION	17
CONTACT BLOCKS	18
PUSH BUTTON ENCLOSURES & LEGEND PLATES	19
TOOLS	20

INTRODUCTION

The new RS PRO range of 22mm push buttons, indicator lights and switches are the perfect solution for OEMs and panel builders in almost every industry. The RS PRO offer consists of modular variants in metal or plastic which allow customers to flexibly configure their control device of choice. In addition to the modular system, RS PRO also offer complete mono-style types which allow easy stock management and installation. All products are fully sealed with an IP65 rating to protect sensitive components inside the panel from ingress of dust and water.

All products in the following guide are ROHS compliant, UL listed and conform to CE IEC and several others. The full range is tested in the RS PRO laboratory to different electrical and mechanical endurance tests as per different global electrical standards.

The manufacturing sites of our RS PRO push buttons have adopted green practices which have helped to reduce the wastage of plastic and other harmful products. They have also incorporated sustainable practices to reduce the consumption of electricity. RS PRO puts the highest focus across all our manufacturers with the conscious effort to reduce our carbon footprint.



PLASTIC MODULAR SERIES

ILLUMINATED SELECTOR SWITCH HEADS – 2 OR 3 POSITION

Buy this and more at rspro.com

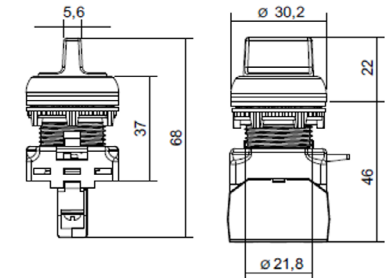


Illuminated 2 or 3 position selector switch heads for use with the RS PRO modular plastic push button series. Robust design in Green, Red and Amber with modern silver coloured bezel. Simple installation via standard lock nut.

Specifications:

- 22mm Diameter
- Latching and Spring return head options
- IP65 Rated
- Contact block mounting clip included
- Stackable design for contact blocks (max 6)
- Mechanical life more than 1 million uses

SUITABLE ACCESSORIES			
Tools p.20	Contact Blocks p.10	Light Blocks p.11	Legend Plates & Enclosures p.19



ILLUMINATED	CUT OUT Ø	ACTUATION	STYLE	IP RATING	SHAPE	MOUNTING TYPE	BODY MATERIAL
Yes	22.5mm	Spring Return	Selector	IP65	Round	Panel Mounted	Plastic (Metal Look)

Illuminated Selector Switch Heads – 2 Position

STOCK NO	188-1156	188-1157	188-1158	188-1159	188-1160	188-1161
ACTUATION DIAGRAM						
ACTUATION	2 Position 0° - 30°	2 Position return 0° - 30°	2 Position 0° - 30°	2 Position return 0° - 30°	2 Position 0° - 30°	2 Position return 0° - 30°
COLOUR						

Illuminated Selector Switch Heads – 3 Position

STOCK NO	188-1162	188-1163	188-1164	188-1165	188-1166	188-1167
ACTUATION DIAGRAM						
ACTUATION	3 Position Latching 30° - 30°	3 Position Return 30° - 30°	3 Position right ret. 30° - 30°	3 Position left return 30° - 30°	3 Position Latching 30° - 30°	3 Position Return 30° - 30°
COLOUR						

PLASTIC MODULAR SERIES

SELECTOR SWITCH HEADS – 2 OR 3 POSITION

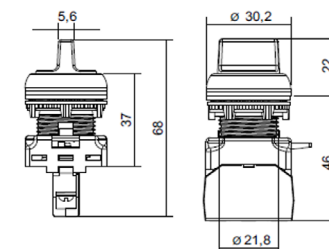
2 or 3 position selector switch heads for use with the RS PRO modular plastic push button series. Robust design with modern aesthetics delivered via silver coloured bezel. Simple installation via standard lock nut.

SUITABLE ACCESSORIES

Contact Blocks p.10 Legend Plates & Enclosures p.19

Specifications:

- 22mm Diameter
- Latching and Spring return head options
- IP65 Rated
- Contact block mounting clip included
- Stackable design for contact blocks (max 6)
- Mechanical life more than 1 million uses



ILLUMINATED	CUT OUT Ø	STYLE	IP RATING	SHAPE	MOUNTING TYPE	BODY MATERIAL
No	22.5mm	Selector	IP65	Round	Panel Mounted	Plastic (Metal Look)

Selector Switch Heads – 2 or 3 Position

STOCK NO	188-1146	188-1148	188-1151	188-1152
ACTUATION DIAGRAM				
ACTUATION	2 Position 0° - 30°	2 Position return 0° - 30°	3 position -45° - 45°	3 position return -45° - 45°
COLOUR				

PLASTIC MODULAR SERIES

RAISED OR FLUSH PUSH BUTTON HEADS - NON-ILLUMINATED

Buy this and more at rspro.com

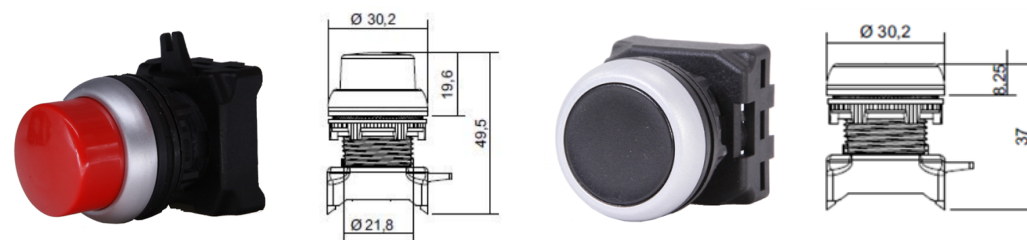


Non-illuminated raised and flush push button heads for use with the RS PRO modular plastic push button series. Robust designs in a variety of colours with modern silver coloured bezel. Simple installation via standard lock nut.

SUITABLE ACCESSORIES		
Tools p.20	Contact Blocks p.10	Legend Plates & Enclosures p.19

Specifications:

- 22mm Diameter
- Spring Return head
- Contact block mounting clip included
- IP65 Rated
- Stackable design for contact blocks (max 6)
- Mechanical life more than 1 million uses



Extended Push Button Head

Flush Push Button Head

ILLUMINATED	CUT OUT Ø	ACTUATION	STYLE	IP RATING	SHAPE	MOUNTING TYPE	BODY MATERIAL
No	22.5mm	Spring Return	Raised and Flush	IP65	Round	Panel Mounted	Plastic (Metal Look)

Extended Push Button Heads

STOCK NO	188-1129	188-1130
COLOUR		

Flush Push Button Heads

STOCK NO	188-1122	188-1123	188-1124	188-1126	188-1127	188-1128
COLOUR						

PLASTIC MODULAR SERIES

FLUSH PUSH BUTTON HEADS

Buy this and more at rspro.com

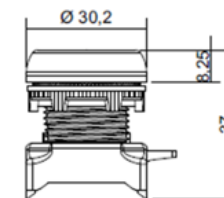
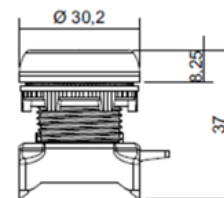


Printed and illuminated flush push button heads for use with the RS PRO modular plastic push button series. Robust design in a variety of colours with modern silver coloured bezel. Simple installation via standard lock nut.

SUITABLE ACCESSORIES			
Tools p.20	Contact Blocks p.10	Light Blocks p.11	Legend Plates & Enclosures p.19

Specifications:

- 22mm Diameter
- Spring Return head
- Contact block mounting clip included
- IP65 Rated
- Stackable design for contact blocks (max 6)
- Mechanical life more than 1 million uses



Printed Flush Push Button Heads

Illuminated Flush Push Button Heads

ILLUMINATED	CUT OUT Ø	ACTUATION	STYLE	IP RATING	SHAPE	MOUNTING TYPE	BODY MATERIAL
No (Printed) / Yes (Illuminated)	22.5mm	Spring Return	Flush	IP65	Round	Panel Mounted	Plastic (Metal Look)

Printed Heads

STOCK NO	188-1132	188-1133	188-1134	188-1135	188-1136
COLOUR/ PRINT					
STOCK NO	188-1137	188-1138	188-1139	188-1140	
COLOUR/PRINT					

Illuminated Heads

STOCK NO	188-1141	188-1142	188-1143	188-1144	188-1145
COLOUR					

PLASTIC MODULAR SERIES

KEY SWITCH HEADS – 2 OR 3 POSITION

Buy this and more at rspro.com

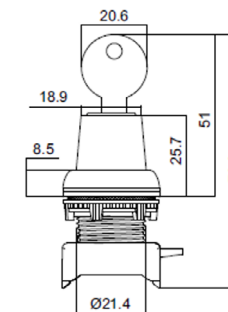


2 and 3 position key switch heads for use with the RS PRO modular plastic push button series. Robust design in black with modern silver coloured bezel. Simple installation via standard lock nut.

SUITABLE ACCESSORIES		
Tools p.20	Contact Blocks p.10	Legend Plates & Enclosures p.19

Specifications:

- 22mm Diameter
 - Latching and Spring return head options
 - IP65 rated
 - Contact block mounting clip included
 - Stackable design for contact blocks
- (max 6)
- Mechanical life more than 1 million uses
 - All key switches from the RS PRO plastic modular series are supplied with alike keys
 - Keys are removable at 0 - position



ILLUMINATED	CUT OUT Ø	STYLE	IP RATING	SHAPE	MOUNTING TYPE	BODY MATERIAL
No	22.5mm	Key Switch	IP65	Round	Panel Mounted	Plastic (Metal Look)

Key Switch Heads – 2 or 3 Position

STOCK NO	188-1149	188-1150	188-1154	188-1155
ACTUATION DIAGRAM				
ACTUATION	2 Position 0° - 30°	2 Position return 0° - 30°	3 position -45° - 45°	3 position return -45° - 45°
COLOUR				

PLASTIC MODULAR SERIES

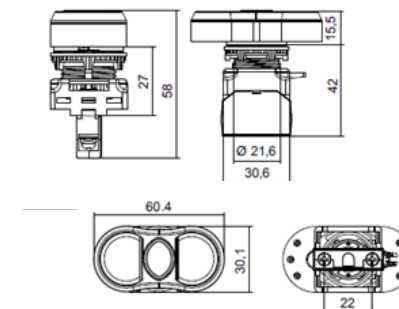
DOUBLE PUSH BUTTON HEAD

Double push button heads for use with the RS PRO modular plastic push button series. Robust design, illuminated and non-illuminated versions with modern silver coloured bezel. Simple installation via standard lock nut.

SUITABLE ACCESSORIES		
Tools p.20	Contact Blocks p.10	Legend Plates & Enclosures p.19

Specifications:

- 22mm Diameter
- Spring return
- IP65 Rated
- Contact block mounting clip included
- Stackable design for contact blocks (max 6)
- Mechanical life more than 1 million uses



ILLUMINATED	CUT OUT Ø	STYLE	IP RATING	SHAPE	MOUNTING TYPE	BODY MATERIAL
No	22.5mm	Key Switch	IP65	Round	Panel Mounted	Plastic (Metal Look)

Double Push Button Heads

STOCK NO	188-1199	188-1200
COLOUR		
TYPE	Non-Illuminated	Illuminated

PLASTIC MODULAR SERIES

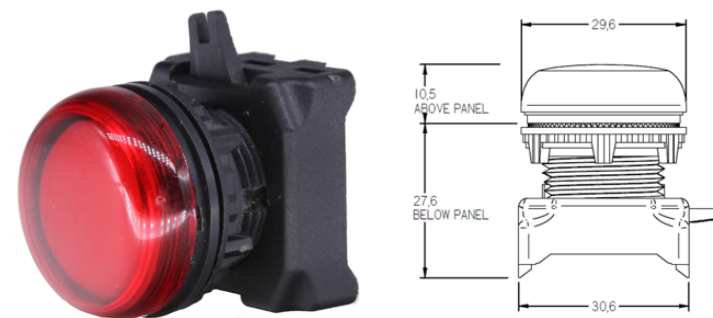
INDICATOR LIGHT HEADS - ILLUMINATED

Indicator light heads for use with the RS PRO modular plastic push button series. Robust design in a variety of colours with modern silver coloured bezel. Simple installation via standard lock nut.

Specifications:

- 22mm Diameter
- IP65 Rated

SUITABLE ACCESSORIES		
Tools p.20	Light Blocks p.11	Legend Plates & Enclosures p.19



ILLUMINATED	CUT OUT Ø	STYLE	IP RATING	SHAPE	MOUNTING TYPE	BODY MATERIAL
Yes	22.5mm	Pilot Light	IP65	Round	Panel Mounted	Plastic

Indicator Light Heads - Illuminated

STOCK NO	188-1201	188-1202	188-1203	188-1205	188-1206	188-1207
----------	----------	----------	----------	----------	----------	----------



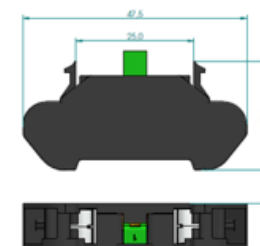
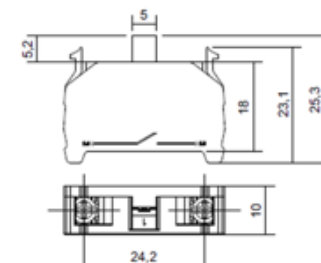
PLASTIC MODULAR SERIES CONTACT BLOCKS

Buy this and more at rspro.com



Specifications:

- Compact for space saving
- Screw and spring terminal versions available
- Stackable design for contact blocks (max 6)
- Mechanical life more than 1 million uses



Contact Blocks

STOCK NO	188-1168	188-1169	188-1170	188-1171
CONTACTS	NO	NC	NO	NC
TERMINAL	Screw	Screw	Spring	Spring
ACTUATION	Spring Return	Spring Return	Spring Return	Spring Return
SWITCHING CAPACITY	230V AC / 6A or 24V DC / 1.5V	230V AC / 6A or 24V DC / 1.5V	230V AC / 6A or 24V DC / 1.5V	230V AC / 6A or 24V DC / 1.5V
MOUNTING TYPE	Clip	Clip	Clip	Clip
MATERIAL	Plastic	Plastic	Plastic	Plastic

PLASTIC MODULAR SERIES

LIGHT BLOCKS

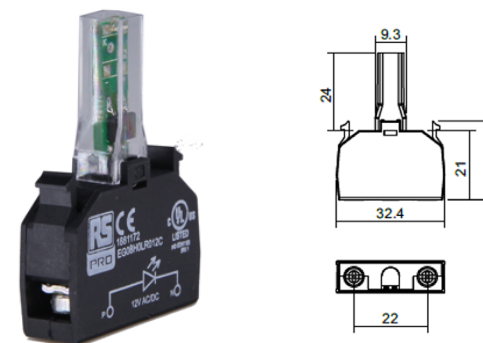
Buy this and more at rspro.com



LED Light blocks for use with the RS PRO modular plastic push button series (Pilot Lights and Illuminated Push Buttons). Simple installation via clip, various voltage ratings available.

Specifications:

- Side view SMD LED technology
- 0.1 million burning hours



OPERATING VOLTAGE	TYPE OF LED	OPERATING FREQUENCY	OPERATING TEMP	WIRE TERMINATION CAPACITY	TERMINAL TORQUE	SURGE TEST	HV TEST FOR 60 SEC	DEGREE OF PROTECTION
-20% - +10% of rated voltage	Side view SMD LED's	50 / 60Hz	-25°C - 65°C	0.5mm ² , 1.5 - 2.5mm ²	0.8Nm	2KV	1.5KV	IP20

STOCK NO	COLOUR	VOLTAGE	DESCRIPTION
188-1172	Red	12V AC/DC	LED Light Block, Red, 12V AC/DC
188-1173	Blue	12V AC/DC	LED Light Block, Blue, 12V AC/DC
188-1174	White	12V AC/DC	LED Light Block, White, 12V AC/DC
188-1176	Yellow	12V AC/DC	LED Light Block, Yellow, 12V AC/DC
188-1177	Green	12V AC/DC	LED Light Block, Green, 12V AC/DC
188-1178	Amber	12V AC/DC	LED Light Block, Amber, 12V AC/DC
188-1179	Red	24V AC/DC	LED Light Block, Red, 24V AC/DC
188-1180	Blue	24V AC/DC	LED Light Block, Blue, 24V AC/DC
188-1182	White	24V AC/DC	LED Light Block, White, 24V AC/DC
188-1183	Yellow	24V AC/DC	LED Light Block, Yellow, 24V AC/DC
188-1184	Green	24V AC/DC	LED Light Block, Green, 24V AC/DC
188-1185	Amber	24V AC/DC	LED Light Block, Amber, 24V AC/DC

STOCK NO	COLOUR	VOLTAGE	DESCRIPTION
188-1186	Red	110V AC	LED Light Block, Red, 110V AC
188-1187	Blue	110V AC	LED Light Block, Blue, 110V AC
188-1188	White	110V AC	LED Light Block, White, 110V AC
188-1189	Yellow	110V AC	LED Light Block, Yellow, 110V AC
188-1190	Green	110V AC	LED Light Block, Green, 110V AC
188-1191	Amber	110V AC	LED Light Block, Amber, 110V AC
188-1192	Red	240V AC	LED Light Block, Red, 240V AC
188-1193	Blue	240V AC	LED Light Block, Blue, 240V AC
188-1194	White	240V AC	LED Light Block, White, 240V AC
188-1195	Yellow	240V AC	LED Light Block, Yellow, 240V AC
188-1196	Green	240V AC	LED Light Block, Green, 240V AC
188-1198	Amber	240V AC	LED Light Block, Amber, 240V AC

PLASTIC MONOBLOCK SERIES

FLUSH PUSH BUTTONS – NON-ILLUMINATED

Buy this and more at rspro.com



Non-illuminated push buttons in mono-block style. Complete units available in various colours and contact configurations. Robust design in green, red, blue and amber and black with modern silver coloured bezel. Simple installation via standard lock nut.

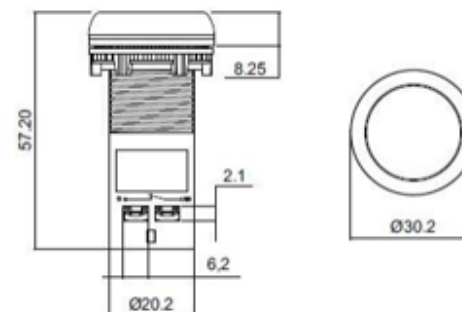
SUITABLE ACCESSORIES

Tools
p.20

Legend Plates & Enclosures
p.19

Specifications:

- 22mm Diameter
- Spring return head
- IP65 Rated
- Complete units
- Mechanical life more than 1 million uses



ILLUMINATED	CUT OUT Ø	ACTUATION	STYLE	IP RATING	SHAPE	MOUNTING TYPE	BODY MATERIAL
No	22.5mm	Spring Return	Flush	IP65	Round	Panel Mounted	Plastic (Metal Look)

Flush Push Buttons

STOCK NO	145-0616	145-0617	145-0618	145-0619	145-0621	145-0607	145-0609	145-0610	145-0612	145-0613	145-0611	145-0615
COLOUR												
CONTACT	2NO	2NO	2NO	2NO	2NC	1NO	1NC	1NO	1NO	1NO	1NO + 1NC	1NO + 1NC

PLASTIC MONOBLOCK SERIES

SELECTOR SWITCHES – 2 OR 3 POSITION

Buy this and more at rspro.com



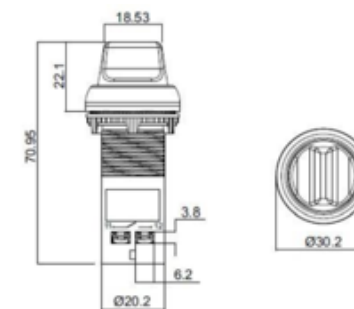
Non-illuminated selector switches in mono-block style. Complete units available in various positions and contact configurations. Robust design with modern silver coloured bezel. Simple installation via standard lock nut.

SUITABLE ACCESSORIES

Tools p.20 Legend Plates & Enclosures p.19

Specifications:

- 22mm Diameter
- Spring return head
- IP65 rated
- Complete units
- Mechanical life more than 1 million uses



ILLUMINATED	CUT OUT Ø	STYLE	IP RATING	SHAPE	MOUNTING TYPE	BODY MATERIAL
No	22.5mm	Key Switch	IP65	Round	Panel Mounted	Plastic (Metal Look)

Selector Switches – 2 Position

STOCK NO	145-0622	145-0623
ACTUATION DIAGRAM		
SPRING RETURN	None	From Right
COLOUR		
CONTACT	1NO + 1NC	1NO + 1NC

Selector Switches – 3 Position

STOCK NO	145-0624	145-0625
ACTUATION DIAGRAM		
SPRING RETURN	None	From Left and Right
COLOUR		
CONTACT	1NO + 1NC	1NO + 1NC

PLASTIC MONOBLOCK SERIES

KEY SWITCHES – 2 OR 3 POSITION

Buy this and more at rspro.com



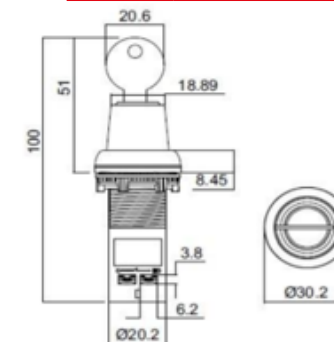
Non-illuminated key switches in mono-block style. Complete units available in various colours and contact configurations. Robust design with modern silver coloured bezel. Simple installation via standard lock nut.

Specifications:

- 22mm Diameter
- Spring return or latching head
- IP65 rated
- Complete units
- Mechanical life more than 1 million uses
- All key switches from the RS PRO plastic modular series are supplied with alike keys
- Keys are removable at 0 - position

SUITABLE ACCESSORIES

Tools p.20 Legend Plates & Enclosures p.19



ILLUMINATED	CUT OUT Ø	STYLE	IP RATING	SHAPE	MOUNTING TYPE	BODY MATERIAL
No	22.5mm	Key Switch	IP65	Round	Panel Mounted	Plastic (Metal Look)

Key Switches – 2 Position

STOCK NO	145-0626	145-0627
TYPE	Key Switch	Key Switch
ACTUATION DIAGRAM		
SPRUNG RETURN	None	From Right
COLOUR		
CONTACT	1NO + 1NC	1NO + 1NC

Key Switches – 3 Position

STOCK NO	145-0628	145-0629
TYPE	Key Switch	Key Switch
ACTUATION DIAGRAM		
SPRUNG RETURN	None	From Left and Right
COLOUR		
CONTACT	1NO + 1NC	1NO + 1NC

METAL MODULAR SERIES

FLUSH/RAISED PUSH BUTTON HEADS - NON-ILLUMINATED

Buy this and more at rspro.com



Non-illuminated flush and raised push button heads for use with the RS PRO modular metal push button series. Robust designs in a variety of colours with modern metal bezel. Simple installation via clamp screws.

SUITABLE ACCESSORIES		
Tools p.20	Contact Blocks p.18	Legend Plates & Enclosures p.19

Specifications:

- 22mm Mounting Diameter
- Head Diameter 29mm
- Spring return head
- IP65 Rated
- Contact block mounting collar included
- Mechanical life more than 1 million uses
- UL approved



Flush Push Button Heads



Raised Push Button Heads

ILLUMINATED	CUT OUT Ø	ACTUATION	STYLE	IP RATING	SHAPE	MOUNTING TYPE	BODY MATERIAL
No	22.5mm	Spring Return	Flush or Raised	IP65	Round	Panel Mounted	Metal

Flush Push Button Heads

STOCK NO	205-2353	205-2357	205-2354	205-2355	205-2358	205-2359
COLOUR						

Raised Push Button Heads

STOCK NO	205-2360	205-2361
COLOUR		

METAL MODULAR SERIES

SELECTOR SWITCH HEADS – 2 OR 3 POSITION

Buy this and more at rspro.com



2 or 3 position selector switch heads for use with the RS PRO modular metal push button series. Robust design with modern aesthetics delivered via metal bezel. Simple installation via clamp screws.

SUITABLE ACCESSORIES		
Tools p.20	Contact Blocks p.18	Legend Plates & Enclosures p.19

Specifications:

- 22mm Diameter
- Head Diameter 29mm
- Latching and Spring return head options
- IP65 Rated
- Contact block mounting collar included
- Mechanical life more than 1 million uses
- UL approved

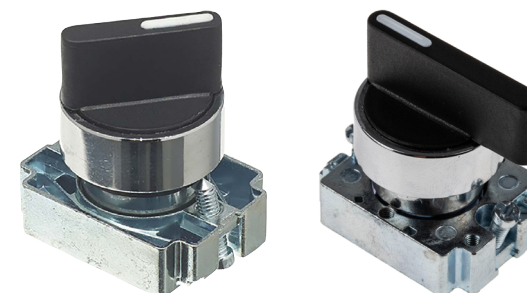


Image representative for:
Long Lever Variants

ILLUMINATED	CUT OUT Ø	STYLE	IP RATING	SHAPE	MOUNTING TYPE	BODY MATERIAL
No	22.5mm	Selector	IP65	Round	Panel Mounted	Metal

Selector Switch Heads – 2 or 3 Position

STOCK NO	205-2369	205-2370	205-2376	205-2377	205-2367	205-2368	205-2374	205-2375
ACTUATION DIAGRAM								
ACTUATION	2 Position Return to Centre	2 Position Return to Centre (Long Lever)	3 Position Return to Centre	3 Position Return to Centre (Long Lever)	2 Position Stay Put	2 Position Stay Put (Long Lever)	3 Position Stay Put	3 Position Stay Put (Long Lever)
COLOUR								

METAL MODULAR SERIES

KEY SWITCH HEADS – 2 OR 3 POSITION

Buy this and more at rspro.com



2 or 3 position key switch heads for use with the RS PRO modular metal push button series. Robust design with modern aesthetics delivered via metal bezel. Simple installation via clamp screws.

SUITABLE ACCESSORIES		
Tools p.20	Contact Blocks p.18	Legend Plates & Enclosures p.19

Specifications:

- 22mm Diameter
- Head Diameter 29mm
- Latching and Spring return head options
- IP65 Rated
- Contact block mounting collar included
- Mechanical life more than 1 million uses
- UL approved
- All key switches from the RS PRO plastic modular series are supplied with alike keys



ILLUMINATED	CUT OUT Ø	STYLE	IP RATING	SHAPE	MOUNTING TYPE	BODY MATERIAL
No	22.5mm	Key Switch	IP65	Round	Panel Mounted	Metal

Key Switch Heads – 2 or 3 Position

STOCK NO	205-2372	205-2371	205-2380	205-2379	205-2373	205-2381
ACTUATION DIAGRAM						
ACTUATION	2 Position	2 Position	3 Position	3 Position	2 Position Return Right to Centre	3 Position Return to Centre
COLOUR						
KEY REMOVEABLE	Left Only	Left and Right	Centre Only	Left, Right and Centre	Left Only	Centre Only

METAL MODULAR SERIES

CONTACT BLOCKS

Buy this and more at rspro.com



Specifications:

- Screw terminal connection
- Stackable design for contact blocks (max 6)
- Mechanical life more than 1 million uses

STOCK NO

205-2382

205-2383



CONTACTS	NO	NC
TERMINAL	Screw	Screw
ACTUATION	Spring Return	Spring Return
SWITCHING CAPACITY	500V AC / 10A	500V AC / 10A
MOUNTING TYPE	Screw	Screw
MATERIAL	Metal	Metal



METAL MODULAR SERIES

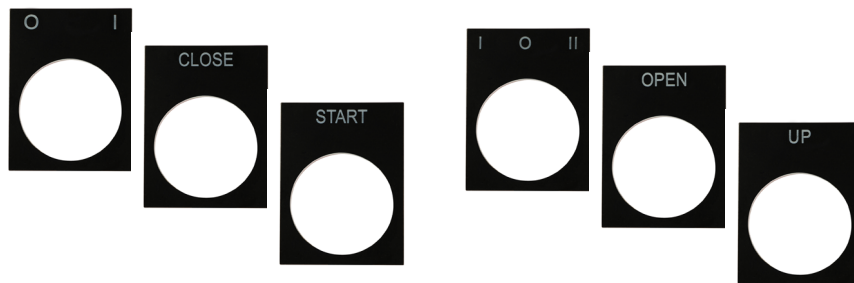
PUSH BUTTON ENCLOSURES & LEGEND PLATES

Buy this and more at rspro.com



Legend Plates

STOCK NO	DESCRIPTION
175-3954	Legend Plate - 0-I, Pack of 5
175-3955	Legend Plate - CLOSE, Pack of 5
175-3956	Legend Plate - DOWN, Pack of 5
175-3958	Legend Plate - FORWARD, Pack of 5
175-3959	Legend Plate - I-O-II, Pack of 5
175-3960	Legend Plate - OFF, - ON Pack of 5
175-3961	Legend Plate - OPEN, Pack of 5
175-3962	Legend Plate - RESET, Pack of 5
175-3964	Legend Plate - REVERSE, Pack of 5
175-3965	Legend Plate - START, Pack of 5
175-3966	Legend Plate - STOP, Pack of 5
175-3967	Legend Plate - UP, Pack of 5



Push Button Enclosures

STOCK NO	DESCRIPTION
182-8655	Pushbutton Enclosure, 1 Hole, Plastic, Grey, 22mm Cut Out
182-8656	Pushbutton Enclosure, 2 Hole, Plastic, Grey, 22mm Cut Outs
182-8657	Pushbutton Enclosure, 3 Hole, Plastic, Grey, 22mm Cut Outs
182-8658	Pushbutton Enclosure, 4 Hole, Plastic, Grey, 22mm Cut Outs
136-8582	Pushbutton Enclosure, 1 Hole, Die Cast Aluminium, Yellow, 22mm Cut Out
136-8581	Pushbutton Enclosure, 1 Hole, Die Cast Aluminium, Yellow, 22mm Cut Out



182-8655



182-8658



136-8582



136-8581

RS PRO SELF ADJUSTING WIRE STRIPPER, 0.08MM - 6.0MM

Specifications:

- Ergonomic design with non-slip handles
- For cables from 0.08 – 6.0mm²
- Adjustable jaws for precision work
- Built-in wire cutter
- Multiple independent blades which contour to the conductor
- Interchangeable gripping pads for different insulation types



STOCK NO

763-9804

RS PRO STEP DRILL BIT

Specifications:

- For rapid drilling and deburring in sheet materials up to 3mm thick
- Provides clear holes in applications requiring small hole size increments
- No pilot hole required easily enlarges existing holes
- Ideal for use with most power drills with a 13mm chuck
- Typical materials include: Stainless steel, Carbon steel, Soft metals, Plastics



STOCK NO

232-563

DRILL Ø	NUMBER OF STEPS	INCREMENTS	MATERIAL	SURFACE
4 – 30mm	14	2mm	HSS	Bright Finish

RS PRO products are audited against demanding international standards, inspected for durability and consistency and tested by leading engineers.

Only when products have been through this process they are awarded with our seal of approval, quality that can be trusted. Confidence in this process is reflected in our long product warranties, proof that our products will consistently deliver the quality you expect for a long time to come.



AUDITED

In compliance with industry standard



INSPECTED

By leading engineers



TESTED

For guaranteed quality and performance

