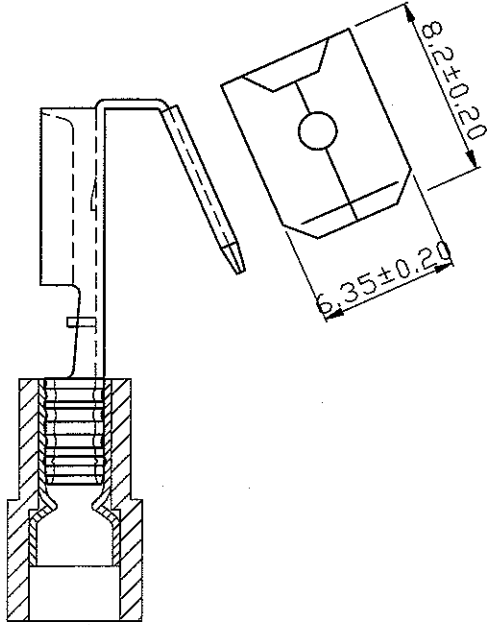
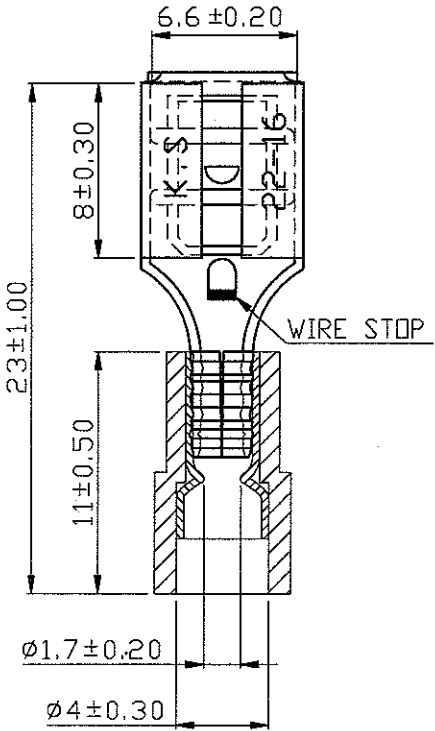
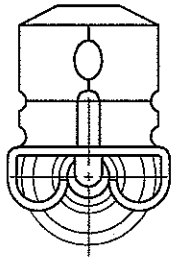


A B C D E F G H x

REV	DESCRIPTION	DATE
-----	-------------	------



NOTE :

1. MAXIMUM ELECTRIC CURRENT : 

A.W.G.	22	20	18	16
AMP.	3	4	7	10
2. MAXIMUM ELECTRICAL RATING : 105°C 600 VOLTS MAX.
3. INSULATION MATERIAL : NYLON
4. INSULATION COLOR : RED
5. TERMINAL MATERIAL : BRASS
6. WIRE RANGE : 22-16 A.W.G. ( 0.5-1.5 mm<sup>2</sup> )
7. NEMA TAB : 0.032 inch \* 0.250 inch ( 0.8 mm \* 6.35 mm )
8. DOUBLE CRIMP : WITH COPPER SLEEVE ON BARREL
9. TERMINAL SURFACE TREATMENT : TIN PLATED
10. TERMINAL THICKNESS : 0.40 mm

Tolerance Unless Otherwise Specified	
0 > 6 mm ± 0.20	ANGLE
6 > 18 mm ± 0.30	0° ° REF ±
18 > 30 mm ± 0.40	° ±
30 > 75 mm ± 0.50	° ±

NAME	NYLON-INSULATED DOUBLE CRIMP PIGGY BACK DISCONNECTORS	UNIT	
PART NO.	PBDNYD1-250	MATERIAL	-----
NUMBER	KA-94346-C	SCALE	SHEET PAGE
DATE	2007/08/28	3/1	1-0 1DF2
APPROVE		CHECKED	
DRAWN	吳金賢		



A B C D E F G H