

FEATURES

- 4, 5 and 8-way Variants
- Insulation Resistance $\geq 100 \text{ M}\Omega$
- Neoprene O-Ring
- Brass nickel plated coupling nut

RS PRO M12 FEMALE RIGHT ANGLE USER-WIRE 4 PIN PG9 WITH PLASTIC BODY SCREW TERMINALS

RS Stock No.: 2080552



RS Professionally Approved Products bring to you professional quality parts across all product categories. Our product range has been tested by engineers and provides a comparable quality to the leading brands without paying a premium price.

Product Description

ATTRIBUTE 1

M12 female cable connector

The re-wireable circular connectors have a threaded mating mechanism with A coding, preventing incorrect mating. Along with IP67 ingress rating. These connectors are best suited to environments that demand a more rugged connector solution.

Features and Benefits:

- 4, 5 and 8-way Variants
- Insulation Resistance $\geq 100 \text{ M}\Omega$
- Neoprene O-Ring
- Re-Wireable –no special tooling required
- Brass nickel plated coupling nut

General Specifications

Rated Operational Voltage	250 V
Current Rating	4A
Insulation Resistance	$\geq 100 \text{ M}\Omega$
Temperature Range	-25°C ... +75°C
Coding	A-Coded

Material Specifications

Grip Material	Nylon 66
Contact	Cu-Zn
Contact Plating	Gold Flash
Contact Carrier	Nylon 66
O-Ring	Neoprene + NBR
Grip Color	Black
Termination	Screw Type
Pole	4
Cable Gland	6 - 8 mm (PG9)
Coupling Nut	Brass Nickel-Plated

Protection Category

Degree of Protection	IP67
----------------------	------

Additional Information

Custom Tariff Number 85369090

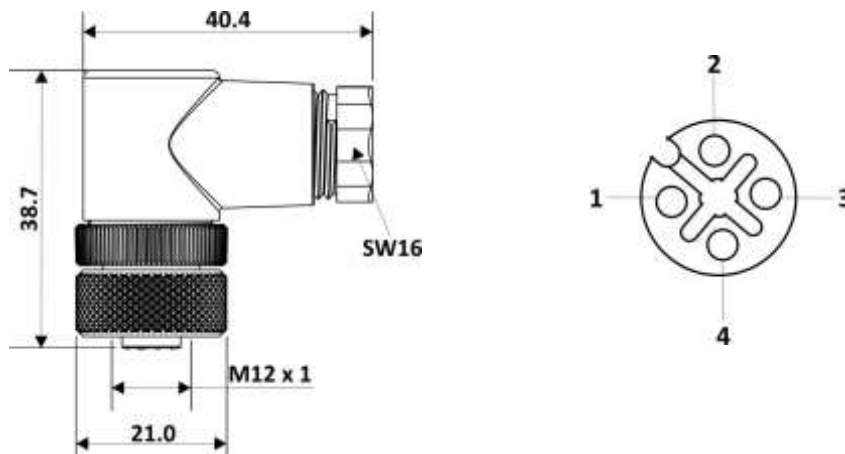
Approvals

Standards Met IEC 61076-2-101

Similar Products

Stock No.	Brand	Product Name	Attribute 1	Attribute 2
186-3096	RS PRO	RS Pro User Wire Connector 4 Pin Straight PG7	Industrial Automation Cable Assemblies	Actuator/Sensor Cable
186-3095	RS PRO	RS Pro User Wire Connector Angled 4 Pin PG7	Industrial Automation Cable Assemblies	Actuator/Sensor Cable

Connection Diagrams / Assembly Diagrams / Illustrations / Accessories



All Dimensions are in mm.