

# Datasheet

ENGLISH

# RS PRO 10A Switching Current PCB Mount Single Pole

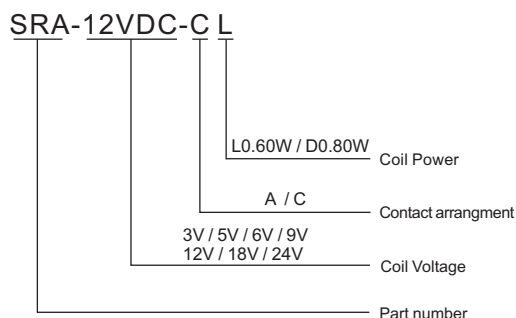
Stock No: 476-583

SRA Series SUBMINATURE HIGH POWER RELAY 10A/20A

### Features

- Miniature volume, PCB usage
- Contact rating:10A/20A
- Temperature range:-40°C/+85°C

## Ordering Information



## Contact Rating

Contact arrangement	A / B / C
Contact resistance	100mΩ (1A 6VDC)
Contact material	Silver alloy: AgCdO, AgSnO <sub>2</sub> , AgNi
Contact rating	20A/14VAC 10A/125VAC
Max switching voltage	125VAC
Max switching current	10A
Max switching power	1250VA
Electrical endurance (frequency: 1800 ops/h)	1x10 <sup>6</sup> ops / 1x10 <sup>4</sup> ops
Mechanical endurance (frequency: 18000 ops/h)	1x10 <sup>7</sup> ops

## Characteristics

Insulation system	B / F	
Insulation resistance	100MΩ (500VDC)	
Dielectric Strength	Between contacts and coil	1500VAC 1 minute
	Between open contacts	500VAC 1 minute
Leakage current 1mA		
Operate time(Under nominal voltage)	≤10ms	
Release time(Under nominal voltage)	≤10ms	
Humidity	45% ~85% RH (20°C)	
Ambient Temperature	-40°C~+85°C	
Shock resistance	Functional	98m/s <sup>2</sup>
	Destructive	980m/s <sup>2</sup>
Vibration resistance (Double amplitude)	10Hz~55Hz 1.5mm	
Weight	Approx 6g	
Construction	Sealed	

Remark:1)All above data is initial value

## Coil Data (at 20°C)

Power dissipation W	Voltage VDC	Current mA	Resistance Ω ±10%	Pick-up voltage	Drop-out voltage	Max allowable
0.60W (L)	03	200	15	75%Max	10%Min	110%
	05	120	42			
	06	100	60			
	09	66.7	135			
	12	50	240			
	18	33	540			
0.80W (D)	24	25	960	75%Max	10%Min	110%
	03	267	11.25			
	05	160	31.25			
	06	133.4	45			
	09	100	90			
	12	66.7	180			
18	44.4	405				
24	33.4	720				

This product specification only for your reference, we will not notify you if we do any improvement. We reserve all the right for the final explanation

SRA Series

SUBMINATURE HIGH POWER RELAY

10A/20A

Safety Approval Ratings

 US E167996

10A 125VAC

5A 125VAC

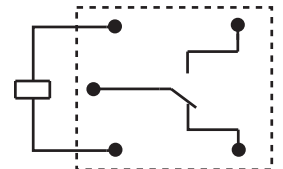
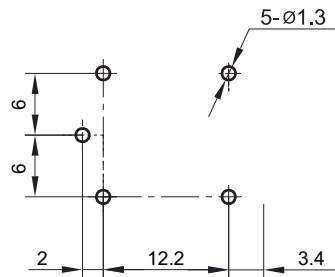
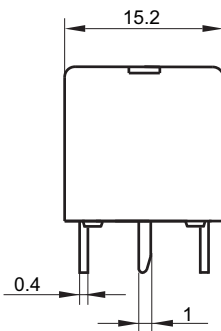
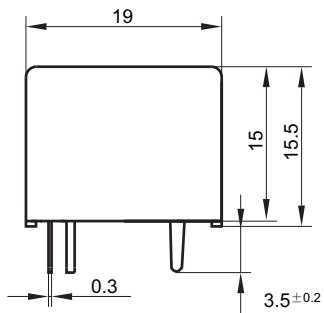
OUTLINE DIMENSIONS , WIRING DIAGRAM AND PC BOARD LAYOUT

Unit:mm

Physical installation diagram

PCB board diagram  
(bottom view diagram)

1 Form C



Tolerance:  $\pm 0.1$ mm

This product specification only for your reference, we will not notify you if we do any improvement. We reserve all the right for the final explanation



rspro.com

