

## FEATURES

- Application : Gas, Full port 1/4" to 4" (DN8 to DN100)
- Investment casting
- Blow-out proof stem
- Locking device
- ISO 5211 Mounting pad

## RS PRO Stainless Steel High Pressure Ball Valve 1/2 in 2 Way

RS Stock No.: 764-4234



RS Professionally Approved Products bring to you professional quality parts across all product categories. Our product range has been tested by engineers and provides a comparable quality to the leading brands without paying a premium price.

## Product Description

RS Brand Stainless Steel Screwed End Ball Valves for the control of flow.

## General Specifications

<b>Threaded Connection</b>	1/2in BSPP
<b>Attachment Type</b>	Threaded
<b>Body Material</b>	ASTM A351-CF8M
<b>Thread Size</b>	1/2in
<b>Safe For Use With</b>	Gas, Oil, Water
<b>Ball Material</b>	ASTM A351-CF8M
<b>Handle Material</b>	Stainless steel
<b>Type</b>	2 Way
<b>Application</b>	Heating systems; Water treatment; Liquid flow control

## Mechanical Specifications

<b>Connection Size</b>	15mm
<b>Torque</b>	7.5Nm
<b>Weight</b>	0.5kg

## Operation Environment Specifications

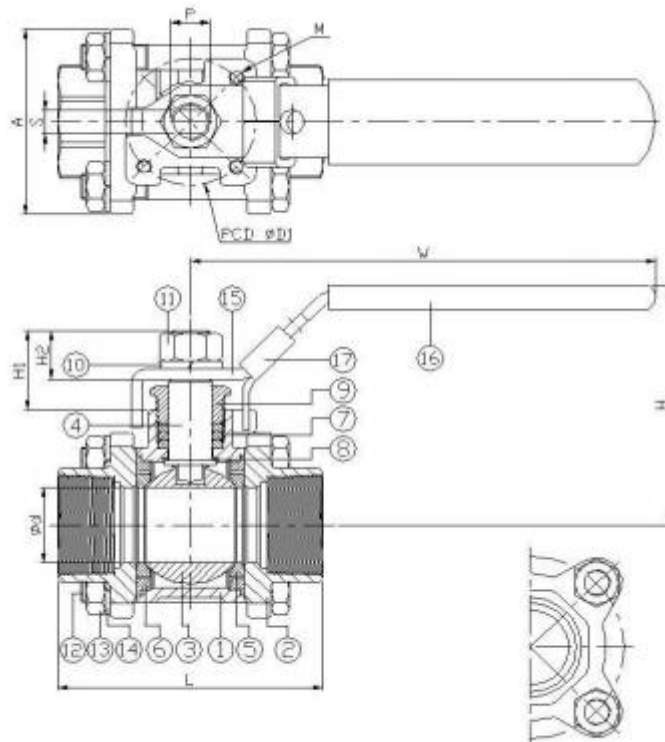
<b>Working Temperature</b>	-20°C to 200°C
<b>Maximum Working Pressure</b>	1000 psi

## Approvals

Compliance/Certifications	ISO-5211
---------------------------	----------



Figure 1





ITEM	PARTS	MATERIAL
1	BODY	ASTM A351-CF8M
2	CAP	ASTM A351-CF8M
3	BALL	ASTM A351-CF8M
4	STEM	ASTM A276-316
5	SEAT	PTFE / RTFE
6	SEAL	PTFE
7	PACKING	PTFE
8	THRUST WASHER	PTFE
9	GLAND NUT	AISI 304
10	SPRING WASHER	AISI 304
11	STEM NUT	AISI 304
12	BOLT	AISI 304
13	NUT	AISI 304
14	SPRING WASHER	AISI 304
15	HANDLE	STAINLESS STEEL
16	HANDLE SLEEVE	PVC
17	LOCKING DEVICE	STAINLESS STEEL

DN	d	L	H	H1	H2	W	S	A	D1	M
15	15	65	62	19.4	13.5	100	5	46.7	36	M5

P	ISO 5211	Torque (N-M)	Weight (kg)
3/8" – 24 UNF	F03	7.5	0.5