

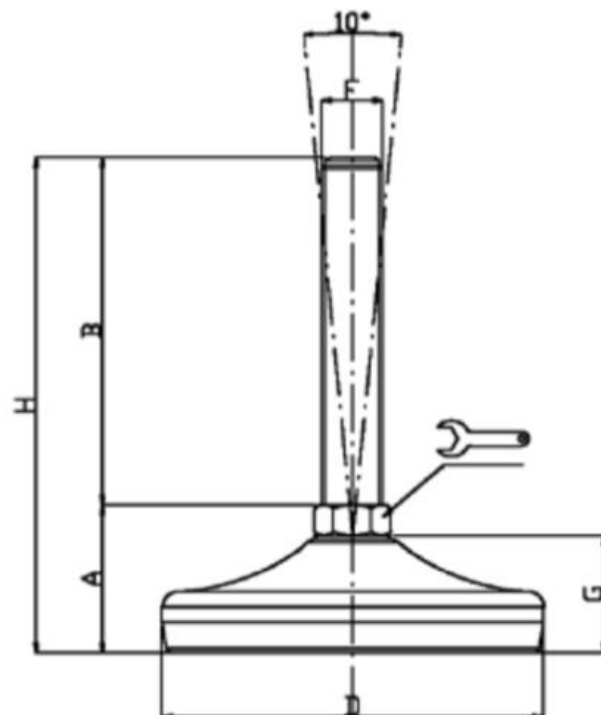


ENGLISH

## Height Adjustable and Articulated Machinery Mount

### Height Adjustable and Articulated Machinery Mount

Height Adjustable and Articulated Machinery Mounts are used for levelling and support, in many applications including lathes, milling machines, machining centers and conveyor systems. The base rubber is made of oil resistant NBR, with the stainless-steel versions being commonly used in the food industry.



RS Code	A (mm)	B (mm)	D (mm)	F	G (mm)	H (mm)	Static Load kg	Metal Type	Articulation
1623253	15	100	40	M12	8	118	900	MS	3
1623257	35	150	80	M12	25	185	1000	MS	10
1623258	35	100	80	M10	25	135	1000	MS	10
1623262	35	100	80	M10	25	135	1000	A2	10
1623259	42	125	100	M16	30	167	1500	A2	10
1623263	47	125	120	M16	32	172	3000	A2	10
1623265	42	125	100	M20	30	167	1500	A2	10

MS – Mild Steel

A2 – SS304 Stainless Steel

NBR 70 Shore A Rubber Pads

Load values above mentioned are to be considered using static conditions and are calculated at half of the screw length. In presence of dynamic loads these values should be suitably reduced (please consult our selection guide for details)