

Features

- IP65 Rated
- Padlockable in the off position (up to 3 padlocks)
- IP20 protection on incoming terminals
- Top & Bottom gland plates
- AC-22 Switch Rating

RS PRO Enclosed Door Interlocked Fuse Switches

RS Stock No.: 136-5292, 136-5293, 136-5294



RS PRO is the own brand of RS. The RS PRO Seal of Approval is your assurance of professional quality, a guarantee that every part is rigorously tested, inspected, and audited against demanding standards. Making RS PRO the Smart Choice for our customers.

Product Description

3 Pole + early make / late break neutral switch

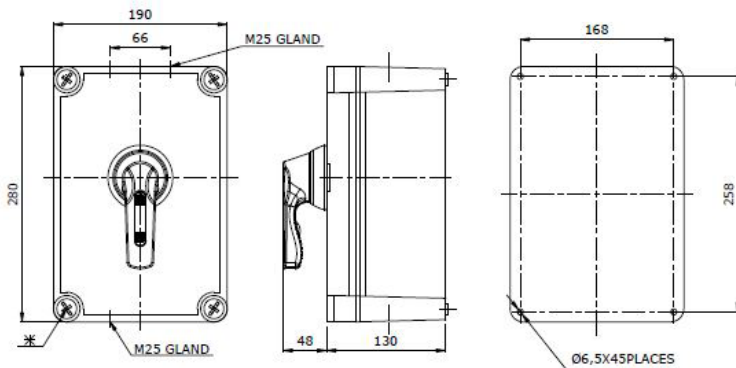
Handle padlockable in the OFF position

Supplied with fully rated gL fuses (which can be down rated)

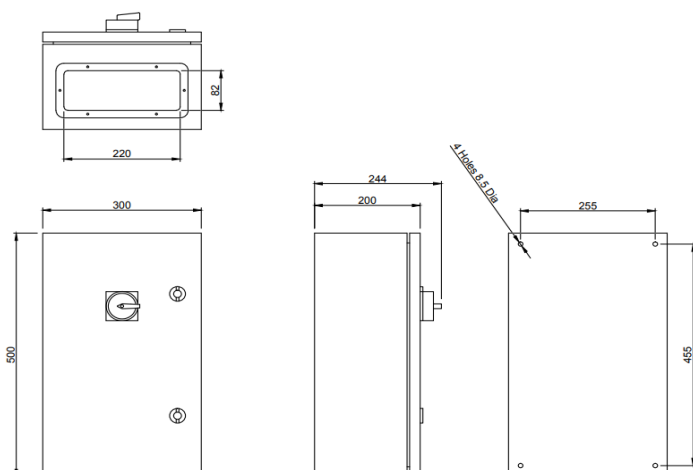
All switch ratings AC-22

32A require 10 x 38 fuses, 63A & 80A require 22 x 58 fuses.

Technical Diagrams



32A fitted with 10x38 fuse holders
(H:280 x W:190 x D:130mm)



63 and 80A fitted with 22x58 fuse holders
(H:500 x W:300 x D:200mm)

General Specifications

| | | Load Break Switch | Fuse Holder | | |
|-------------------------------------------------|---------|---------------------|-------------------------|-----------|----|
| Standards | | IEC & EN 60947-3 | EN60269-1/ HD60269-2 | | |
| Switch Specifications 32-100A AC-22 | | | | | |
| Data | Range | Units | 32A | 63A / 80A | |
| Rated operational voltage Ue | | | | | |
| IEC & EN | Volts | V | 690 | 69 | |
| Rated impulse withstand voltage Uimp | | Volts | kV | 6 | 6 |
| Rated uninterupted current Iu | | Amps | A | 32 | 80 |
| Rated operational current Ie | | | | | |
| IEC & EN | AC-22A | Up to 690V | A | 32 | 80 |
| | AC-21A | Up to 690V | A | 40 | 80 |
| | AC-1 | Up to 690V | A | 40 | 80 |
| Rated operational power AC-23A (50-60Hz) | | | | | |
| IEC & EN | 3 Phase | 230 (240V) | kW | 15 | 37 |
| | | 400 (415) | kW | 18.5 | 45 |
| | | 690V | kW | 22 | 90 |
| Rated operational power AC-3 (50-60Hz) | | | | | |
| IEC & EN | 3 Phase | 230 (240V) | kW | 11 | 30 |
| | | 400 (415) | kW | 11 | 37 |
| | | 690V | kW | 15 | 55 |
| Short Circuit Capacity (IEC) | | | | | |
| Max fuse size (Type gl) | | Amps | A | 32 | 80 |
| Rated Fused short circuit current | | Amps | kA | 30 | 30 |
| Terminal Specification | | | | | |
| Single/ Multiple strand wire | | Min-mm ² | 2.5 | 2.5 | |
| | | Max-mm ² | 10 | 35 | |
| Fine strand with sleeve | | Min-mm ² | 0.75 | 4 | |
| | | Max-mm ² | 6 | 35 | |
| Recommended Tightening Torque | | Nm | 1.7 | 2.5 | |