



Datasheet

RS PRO Two-Part Enclosures For Wall Mounting

Stock number: 1920792

EN



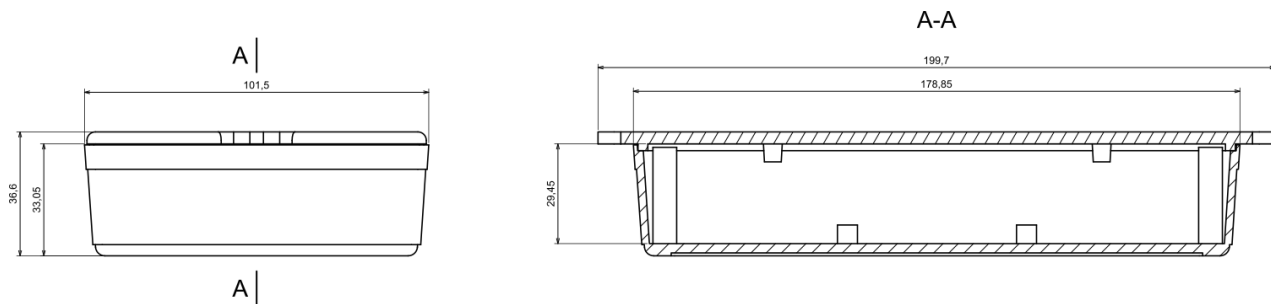
Product Details

Two-part enclosure is made of black ABS. The enclosure provides IP53 rating it is ideal for applications that doesn't require hermetic seal, it can be mounted on walls and other surfaces using mounting ears.

Features and Benefits

- Made of ABS
- Available in black color
- Protection against liquids and solid objects: IP53 rating
- Lugs for wall mounting
- Lid with recess for keypads and overlays

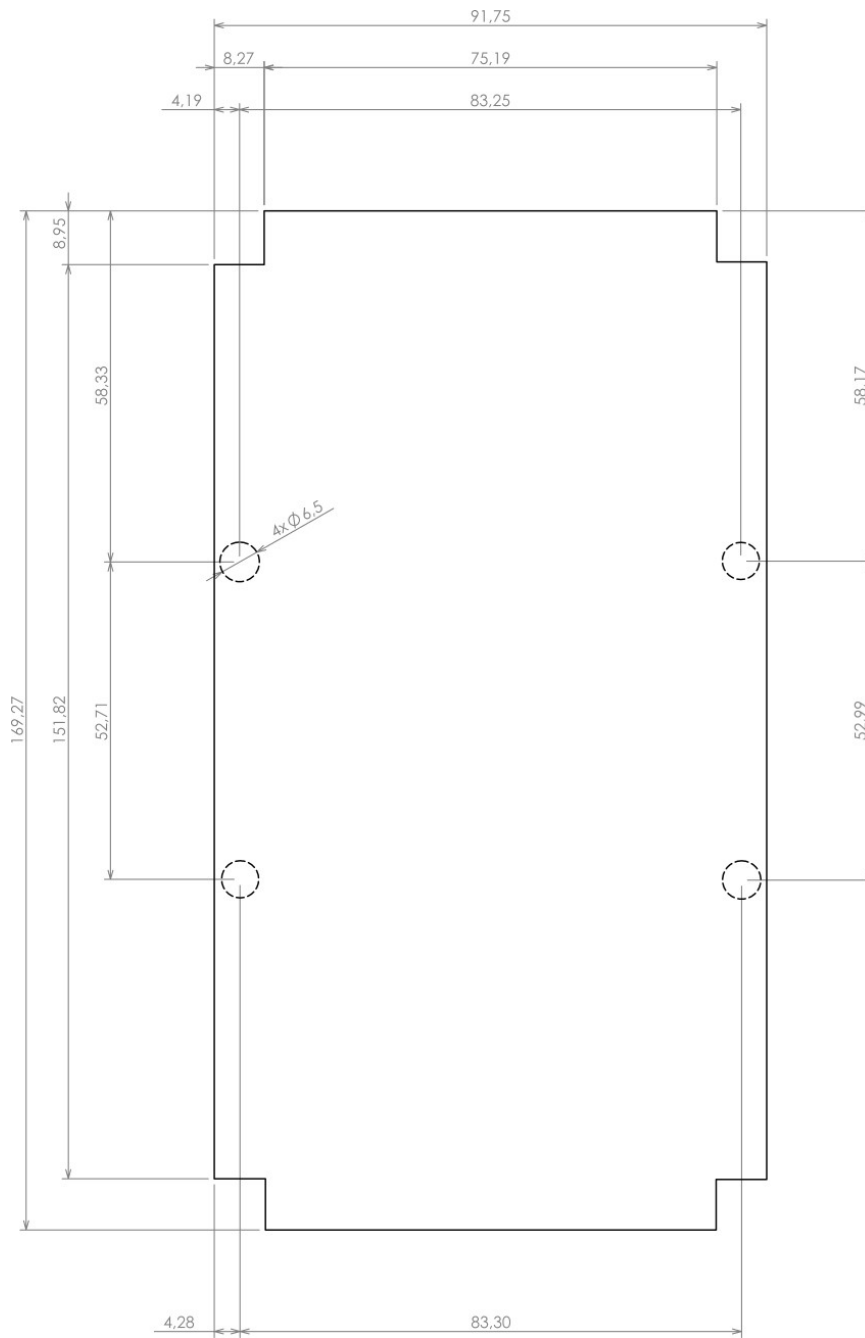
rspro.com



Category	Enclosures For Wall Mounting
Type	Full with lug (U)
Material	ABS
Variant	Without gasket
Height	36.6 mm
Width	101.5 mm
Length	177.9 mm
Color	Black
Protection level	IP53
Standards Met	RoHS Compliant
Accessories	Screw 3/13: 4.0 pcs
Certificate number	CE/028/18



Max PCB size



Dashed line shows outline of the mounting boss under PCB board
Recommended mounting holes diameter ϕ 3,5mm
All dimensions are given within $\pm 0,5$ mm tolerance