

FEATURES

- Precise temperature control
- Compact geometric sizes and lightweight
- Reliable solid state operation
- No sound or vibration
- Environmentally friendly
- DC operation
- RoHS REACH Compliant

RS PRO Peltier Module

RS Stock No.: 2172399



RS Professionally Approved Products bring to you professional quality parts across all product categories. Our product range has been tested by engineers and provides a comparable quality to the leading brands without paying a premium price.

Product Description

This Peltier module is suitable for the higher current and larger cooling requirements. Typical application includes experimental, scientific and biomedical instruments, laboratory equipment, industry and electrical equipment and consumables.

Performance Parameters

Hot Side Temperature (°C)	25°C	50°C
<i>Q_{max} (watts):</i>	115	125
<i>Δ T_{max} (°C):</i>	68	74
<i>I_{max} (amps):</i>	8.5	8.5
<i>V_{max} (vdc):</i>	24	25.6
<i>AC Resistance (ohms):</i>	2.33	2.62

***Tolerances for thermal and electrical parameters are ± 10%.*

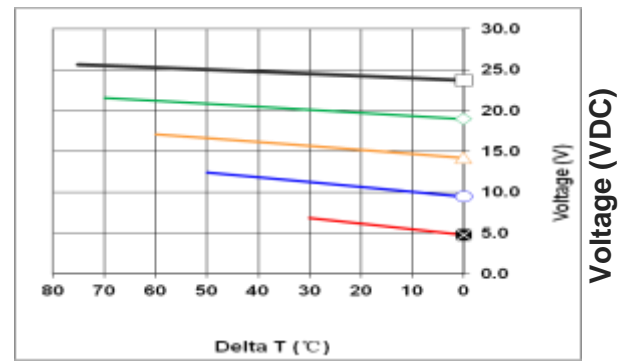
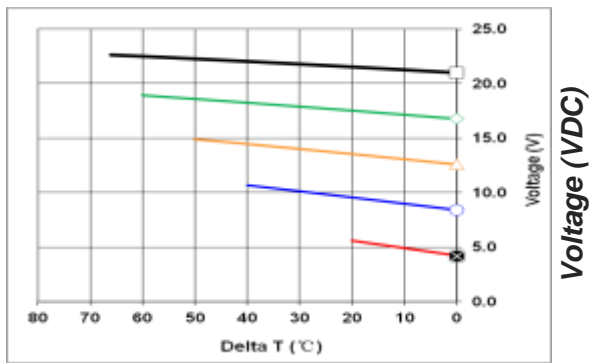
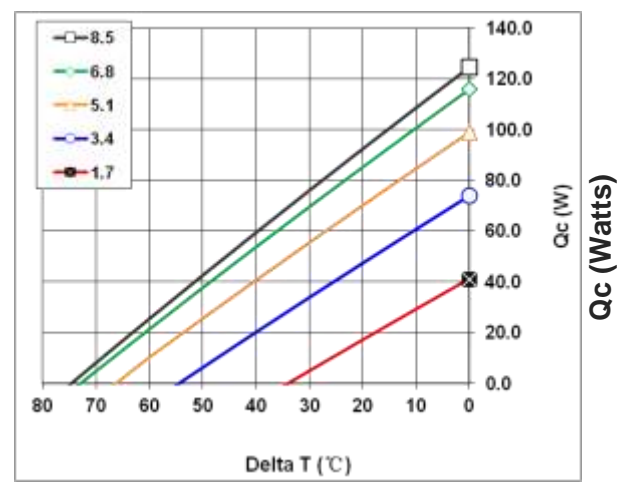
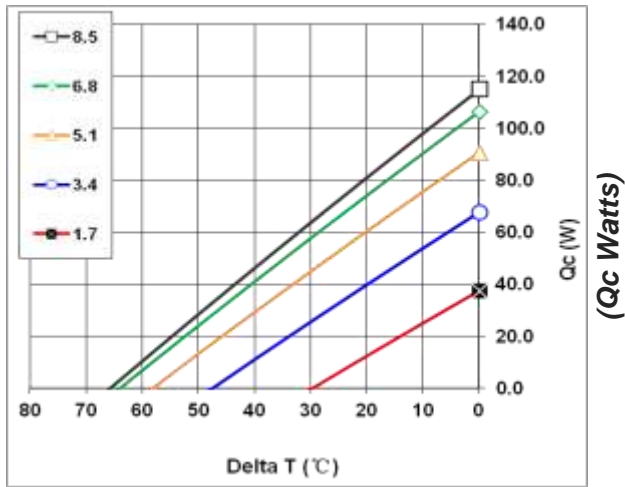
Manufacturing Specifications

Performance Curves

Joint Cover	RTV Silicone (White)
Substrate	Blank Ceramics (96% Al ₂ O ₃)
Plating	N/A
Joint Cover	RTV Silicone (White)
Lead Wires	20AWG PVC Stranded
Lead Wire Length	150mm±5mm
Solder Construction	138°C, Bismuth Tin (BiSn)
Module Size (mm)	40±0.1, 40±0.1, 40±0.1, 3.3±0.05
Flatness/Parallelism	0.05 mm / 0.05 mm
Marking	P/N & S/N printed on cold side surface

Hot Side Temperature 25°C

Hot Side Temperature 50°C



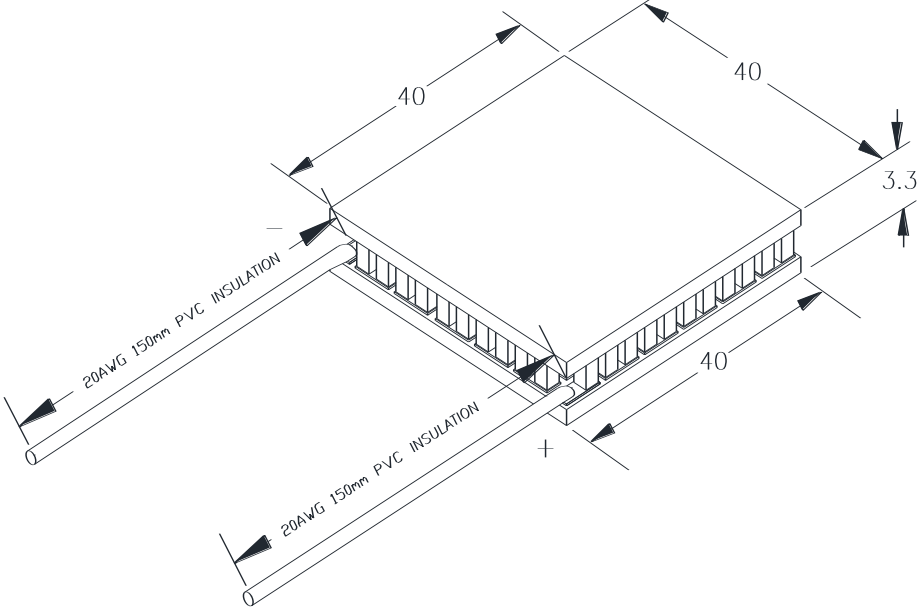
Delta T (°C)

Delta T (°C)

Operation Cautions

- For maximum reliability, storage and operation below 90°C/194°F in a non-condensing environment is recommended.
- Do not exceed I_{max} or V_{max} when operating module.

Mechanical Drawing



**All units are in millimeters unless otherwise stated.

Additional Information

EAN

Custom Tariff Number 85415000