

## FEATURES

- Operating temperature range is from - 60 °C to + 300 °C
- RoHS and REACH compliant
- Silicon free

# RS PRO Single Banjo Body With Stem - Compression

RS Stock No.: 2312635



RS PROfessionally Approved Products bring to you professional quality parts across all product categories. Our product range has been tested by engineers and provides a comparable quality to the leading brands without paying a premium price.

## Product Description

The RS PRO single banjo body with stem - compression is made up of brass. The working pressures and working temperatures depend on which type of tube is used, for this reason, the values must be determined in accordance with the tube's features. Hereunder, we specify the values of the maximum pressure advised for the fittings at a temperature of 20° C connected with copper tube, which has a thickness of 1 mm. Here the tube size is 4 and corresponding maximum pressure advised is 148.4 bar.

## General Specifications

<b>Type</b>	Threaded, Tube
<b>Body Material</b>	Brass
<b>Application</b>	Pneumatic automation, Automotive process, Food & Beverage, Fluidtechnology, Vacuum

## Mechanical Specifications

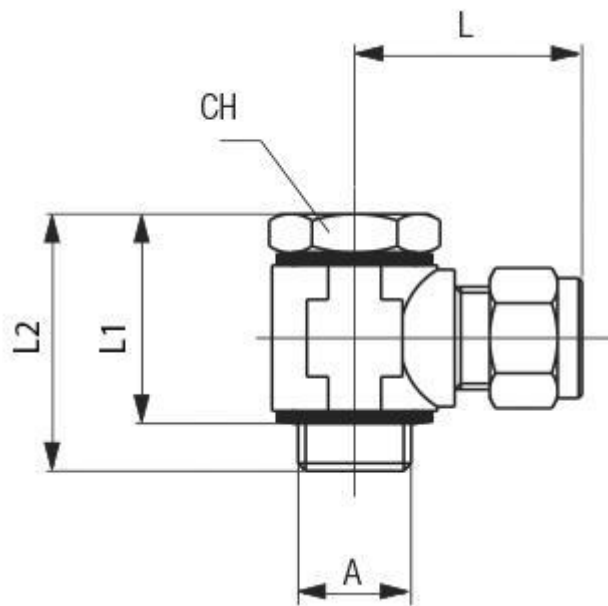
<b>Length</b>	23.5mm
---------------	--------

<b>Inlet Port</b>	
<b>Inlet Port Type</b>	1/8 in Male

<b>Outlet Port</b>	
<b>Tube Outlet Port</b>	Fitting
<b>Threaded Outlet Port</b>	6

## Operation Environment Specifications

<b>Maximum Operating Temperature</b>	+80°C
<b>Minimum Operating Temperature</b>	-20°C



Tube	A	L	L2	L1	CH	Pack.
4	1/8	22.50	31	24.50	14.0	10