

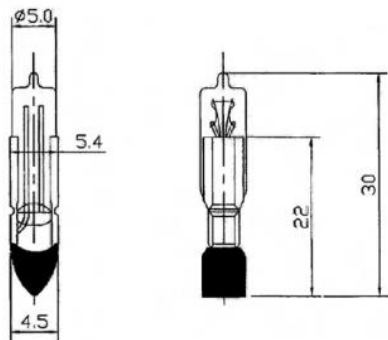
Datasheet

Filament Indicator Lamp

RS Stock number 104-711



Dimensions: (mm)



Specification

Structure		Design Characteristics	
Bulb Type	T6.8	Voltage	220/250V
Bulb Diameter	Ø7.0 Max	Amperage	2.6mA±10%
Length	45 Max	Gas Type	Neon Gas-Filled
Base Type	Telephone	Life Hours	25,000 Hours