

Raccordi filettati - Threaded fittings



Tappi T. quadra
Square H. plugs



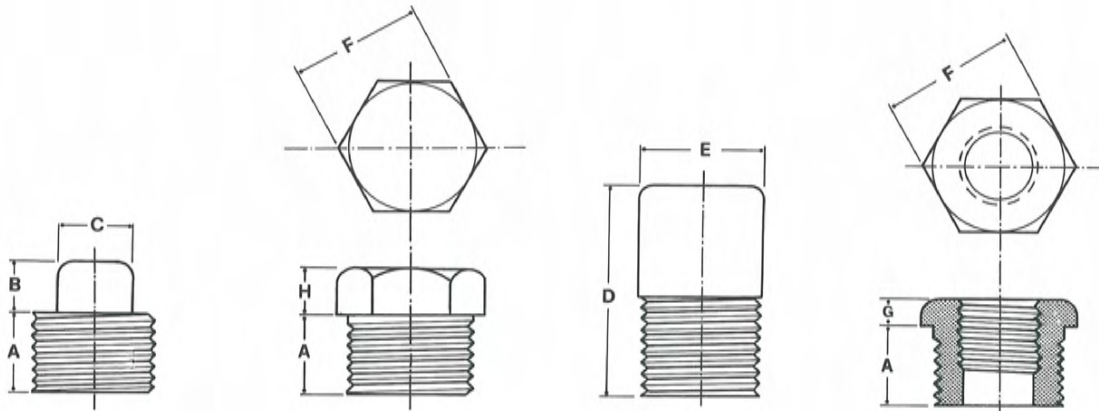
Tappi T. esag.
Hex. H. plugs



Tappi T. tonda
Round H. plugs



Riduz. esag. M/F
Bushings



Ø NOMINALE PIPE SIZE	1/8	1/4	3/8	1/2	3/4	1	1 1/4	1 1/2	2	2 1/2	3	4
A MIN.	10	15	16	20	21	25	26	26	27	41	42	45
B MIN.	6	6	8	10	11	13	14	16	17	19	21	25
C MIN.	7.0	9.5	11.0	14.5	16.0	20.5	24.0	28.5	33.5	38.0	43.0	63.5
D MIN.	35	41	41	45	45	51	51	51	64	70	70	76
E NOM.	10	13	17	21	27	33	43	48	60	73	89	114
F NOM.	11.0	16.0	17.5	22.0	27.0	35.0	44.5	51.0	63.5	76.0	89.0	117.5
G MIN.	-	3	4	5	6	6	7	8	9	10	10	13
H MIN.	6	6	8	8	10	10	14	16	17	19	21	25