

Characteristics

Degree of protection		IP67
Rating	IEC 60947-5-1	AC-15 250V AC / 2A, 48V DC / 2A
	UL508	A600 250V AC / 15A
Durability	Mechanical	15,000,000 operations
	Electrical	750,000 operations
Operating Speed		1mm ~ 1m/s
Operating Frequency	Mechanical	120 operations /min.
	Electrical	30 operations /min.
Rated Frequency		50/60Hz
Insulation Resistance		100MΩ min. (at 500V DC)
Contact Resistance		25mΩ max. (Initial value)
Dielectric Strength	Between terminals of same polarity	AC1,000V(600V) 50/60Hz for 1min
	Between current-carrying metal parts and ground	AC2,200V (1,500V) 50/60Hz 1min Uimp 2.5kV
	Between each terminal and non-current-carrying metal part	AC2,200V (1,500V) 50/60Hz 1min Uimp 2.5kV
Rated insulation voltage (Ui)		250V (EN60947-5-1)
Pollution degree (Application environment)		3 (EN60947-5-1)
Conditional short-circuit current		100A (EN60947-5-1)
Rated open thermal current (Ith)		10A, 0.5A (EN60947-5-1)
Degree of protection against electric shock		Class I
Vibration Resistance	Malfunction	10~55 Hz 1.5mm double amplitude
Shock Resistance	Destruction	1,000m/s ² min.
	Malfunction	300m/s ² min.
Ambient operating temperature range		-10°C ~ +80°C with no icing
Ambient operating humidity range		35% ~ 95%RH
Approved by		UL, CSA, CCC

Operating Characteristics

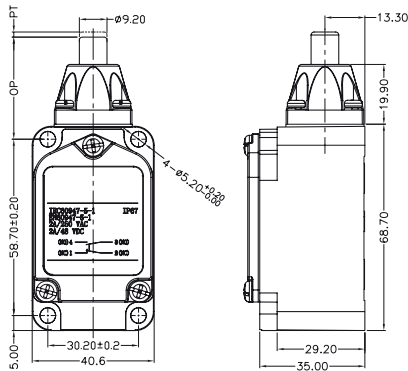
Part Number	Operating Force (Max.)	Release Force (Min.)	Pre Travel (Max.)	Over Travel (Min.)	Movement Differential (Max.)	Operating Position	TTP
MC002429	26.67N	8.92N	1.7mm	6.4mm	1mm	34 ±0.8mm	29.5mm
MC002430	40.03N	8.89N	2.8mm	6.4mm	1mm	40.6 ±0.8mm	-
MC002431	26.67N	8.92N	1.7mm	5.6mm	1mm	44 ±0.8mm	39.5mm
MC002432	40.03N	8.89N	2.8mm	5.6mm	1mm	54.2 ±0.8mm	-
MC002433	16N	2.23N	15 ±5°	30°	12°	-	-
MC002434	16N	2.23N	15 ±5°	30°	12°	-	-

Two-Circuit Limit Switches

multicomp^{PRO}

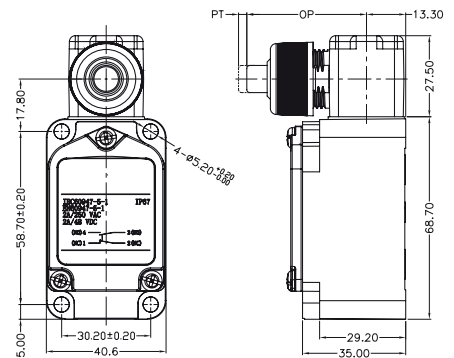
Part Number	Operating Force (Max.)	Release Force (Min.)	Pre Travel (Max.)	Over Travel (Min.)	Movement Differential (Max.)	Operating Position	TTP
MC002435	1.39N	0.27N	15 ±5°	30°	12°	-	-
MC002436	11.77N	-	50 ±5°	55°	35°	-	-
MC002437	16.67N	4.41N	1.7mm	5.6mm	1mm	44 ±0.8mm	39.5mm
MC002438	26.67N	8.92N	1.7mm	4mm	1mm	44.5 ±0.8mm	41mm
MC002439	1.47N	-	20 ±10mm	-	-	-	-
MC002440	1.47N	-	40 ±10mm	-	-	-	-

Top Plunger



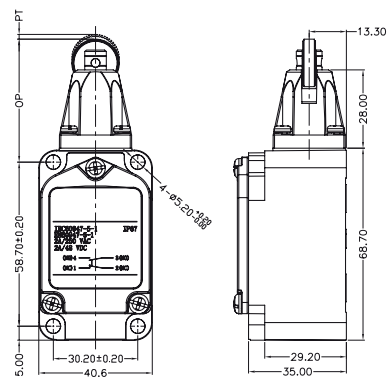
MC002429
Weight: 197.8g

Horizontal Plunger



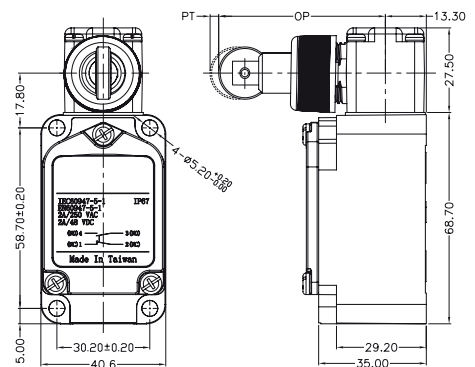
MC002430
Weight: 258.4g

Top-roller Plunger



MC002431
Weight: 204.5g

Horizontal-roller Plunger



MC002432
Weight: 270.8g

Dimensions : Millimetres

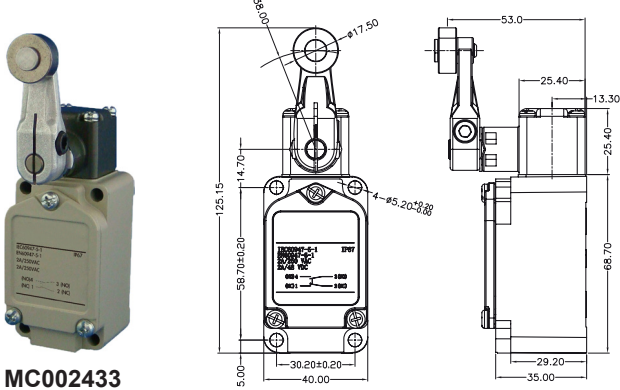
Newark.com/multicomp-pro
Farnell.com/multicomp-pro
Element14.com/multicomp-pro

multicomp^{PRO}

Two-Circuit Limit Switches

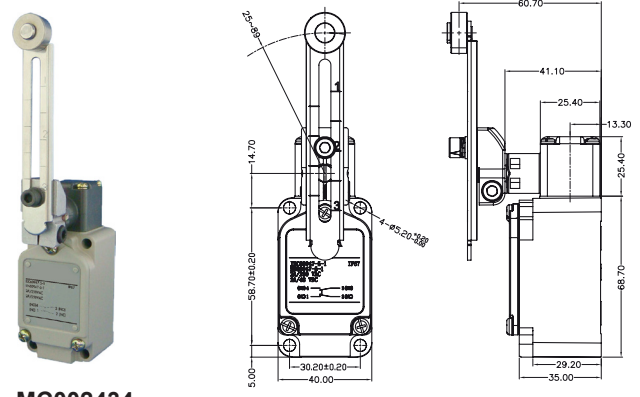
multicomp PRO

Vertical Standard Roller Lever



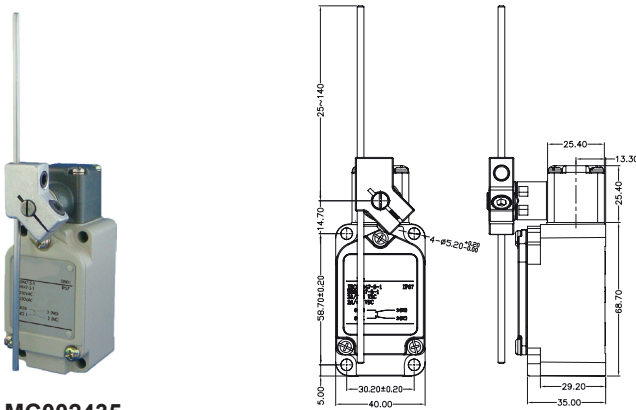
MC002433
Weight: 267.1g

Adjustable Roller Lever



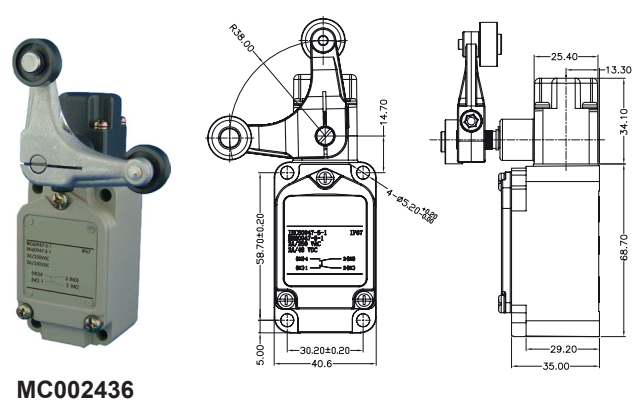
MC002434
Weight: 289.3g

Adjustable Rod Lever



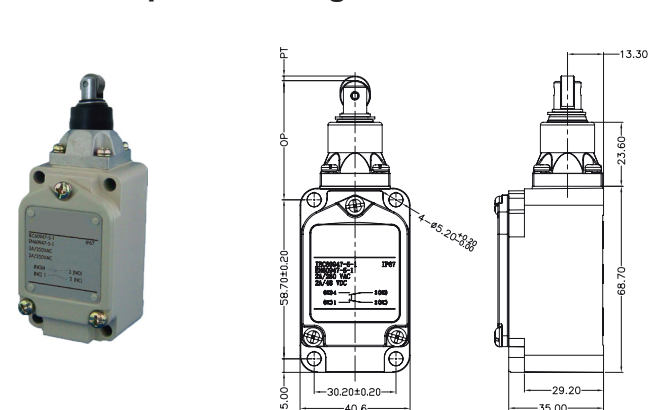
MC002435
Weight: 266.3g

Fork Lever Lock



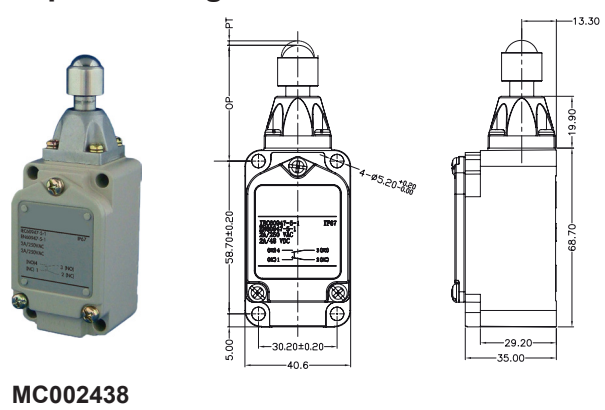
MC002436
Weight: 277.3g

Sealed Top-roller Plunger



MC002437
Weight: 207.1g

Top-ball Plunger



MC002438
Weight: 209.1g

Dimensions : Millimetres

Newark.com/multicomp-pro
Farnell.com/multicomp-pro
Element14.com/multicomp-pro

multicomp PRO

Two-Circuit Limit Switches

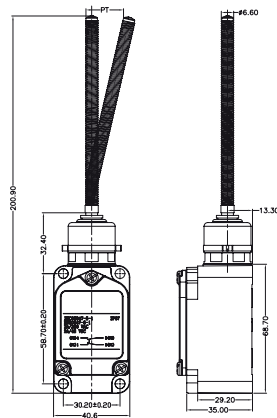


Coil Spring (Stainless Steel)



MC002439

Weight: 212.2g

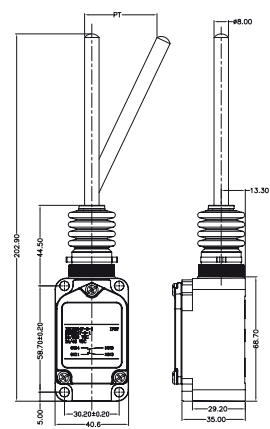


Coil Spring (Resin Rod)



MC002440

Weight: 227g



Dimensions : Millimetres

Part Number Table

Description	Part Number
Vertical Limit Switch, Two-Circuit, Top Plunger, Screw Terminal	MC002429
Vertical Limit Switch, Two-Circuit, Horizontal Plunger, Screw Terminal	MC002430
Vertical Limit Switch, Two-Circuit, Top-Roller Plunger, Screw Terminal	MC002431
Vertical Limit Switch, Two-Circuit, Horizontal-Roller Plunger, Screw Terminal	MC002432
Vertical Limit Switch, Two-Circuit, Vertical Standard Roller Lever, Screw Terminal	MC002433
Vertical Limit Switch, Two-Circuit, Adjustable Roller Lever, Screw Terminal	MC002434
Vertical Limit Switch, Two-Circuit, Adjustable Rod Lever, Screw Terminal	MC002435
Vertical Limit Switch, Two-Circuit, Fork Lever Lock, Screw Terminal	MC002436
Vertical Limit Switch, Two-Circuit, Sealed Top-Roller Plunger, Screw Terminal	MC002437
Vertical Limit Switch, Two-Circuit, Top-Ball Plunger, Screw Terminal	MC002438
Vertical Limit Switch, Two-Circuit, Coil Spring (Stainless Steel), Screw Terminal	MC002439
Vertical Limit Switch, Two-Circuit, Coil Spring (Resin Rod), Screw Terminal	MC002440

Important Notice : This data sheet and its contents (the "Information") belong to the members of the AVNET group of companies (the "Group") or are licensed to it. No licence is granted for the use of it other than for information purposes in connection with the products to which it relates. No licence of any intellectual property rights is granted. The Information is subject to change without notice and replaces all data sheets previously supplied. The Information supplied is believed to be accurate but the Group assumes no responsibility for its accuracy or completeness, any error in or omission from it or for any use made of it. Users of this data sheet should check for themselves the Information and the suitability of the products for their purpose and not make any assumptions based on information included or omitted. Liability for loss or damage resulting from any reliance on the Information or use of it (including liability resulting from negligence or where the Group was aware of the possibility of such loss or damage arising) is excluded. This will not operate to limit or restrict the Group's liability for death or personal injury resulting from its negligence. Multicomp Pro is the registered trademark of Premier Farnell Limited 2019.

Newark.com/multicomp-pro
 Farnell.com/multicomp-pro
 Element14.com/multicomp-pro

