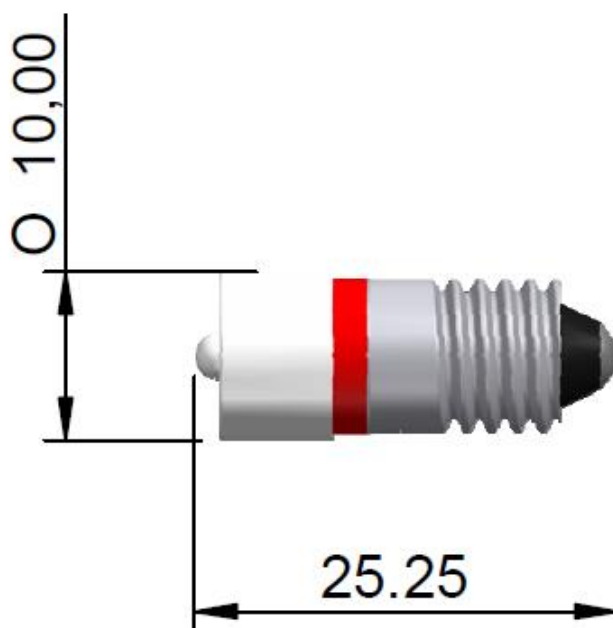


Datasheet

E10 LED Indicator Lamp

RS Stock number 204-350

Dimensions (mm):



Specifications:

LED/Multiled	LED
Mounting Size	10 x 25mm
Mounting Finish	-
Protection	-
Mount Holder	E10
Chip Qty	1
Indicator Colour	White
Optimum Voltage (V)	12V ac/dc
Rectifier	Half Wave

AC Current	9mA
DC Current	17mA
Voltage Tolerance	10%
Optimum Temperature	-30°C ... +60°C
Storage Temperature	-30°C...+60°C
Contact Tab	E10 Cap
Wavelength (nm)	-
Intensity	2070mcd
Reverse Voltage	-