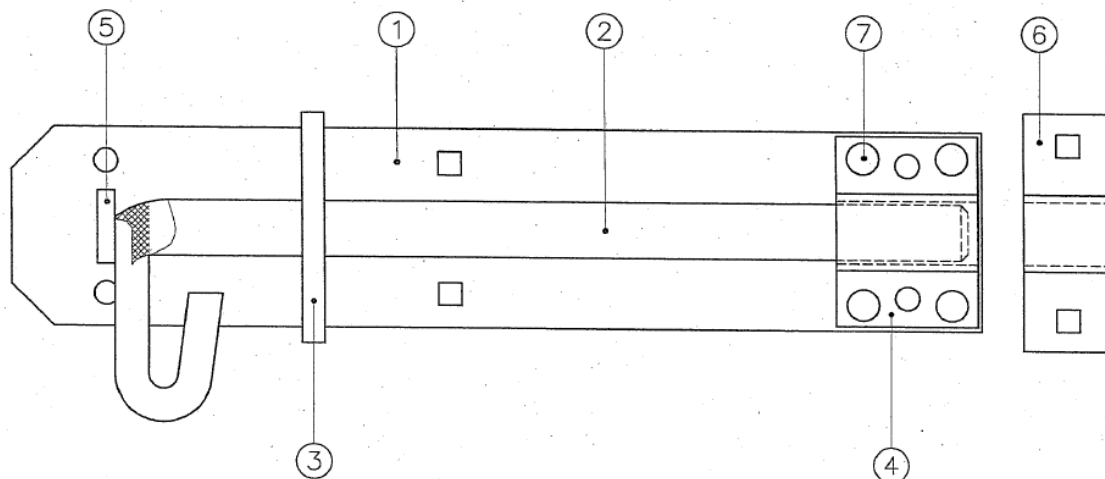


Dimensions



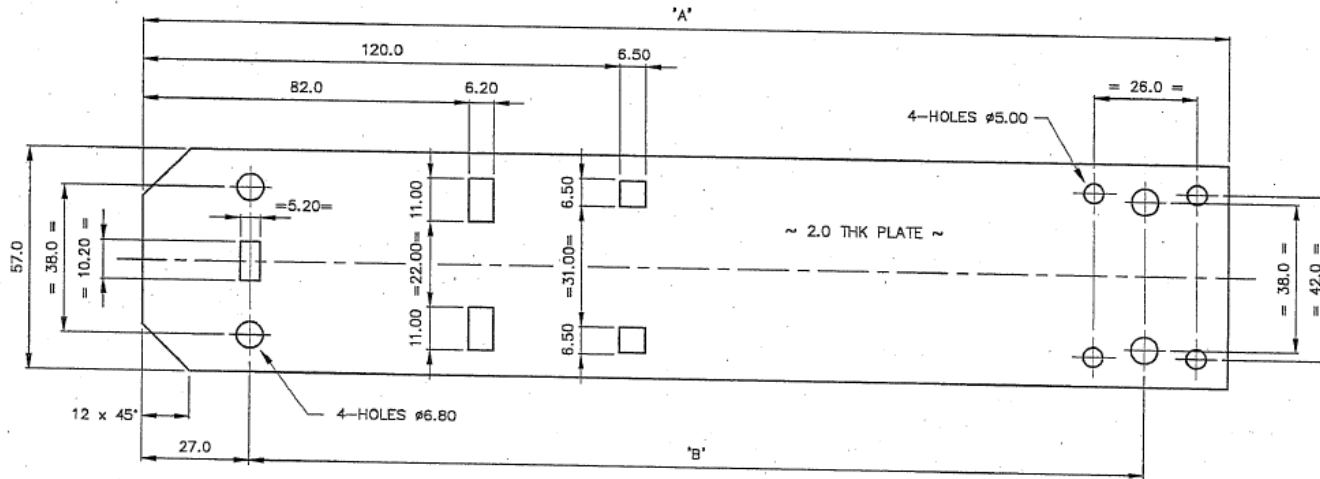
7	Ø5 RIVET	4
6	STAPLE	1
5	BACKSTOP	1
4	KEEP	1
3	LOCKING PLATE	1
2	SHOOT	1
1	BASEPLATE	1
ITEM	DESCRIPTION	QTY

ITEMS 3, 4 & 5 TO BE SECURELY FIXED WITHOUT MOVEMENT.
 FOR SECURITY REQUIREMENT TESTING REFER TO DRAWING 4209-T
 HOT DIP GALV TO BE 43 MICRONS THK M

4209 222	12"	H.D.GALV.
4209 204	10"	B.Z.P.
4209 202	10"	H.D.GALV.
4209 182	8"	H.D.GALV.
4209 162	6"	H.D.GALV.
PRODUCT REF.	SIZE	FINISH

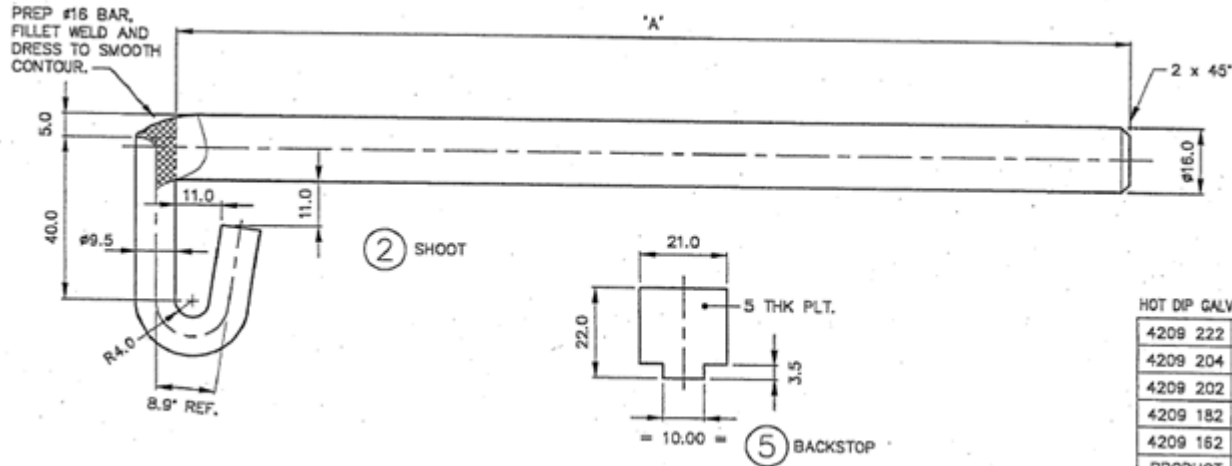


ENGLISH



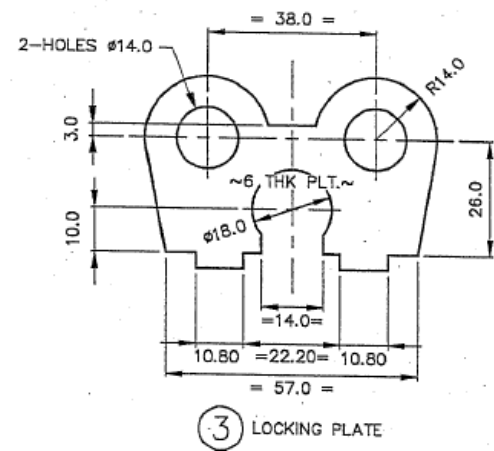
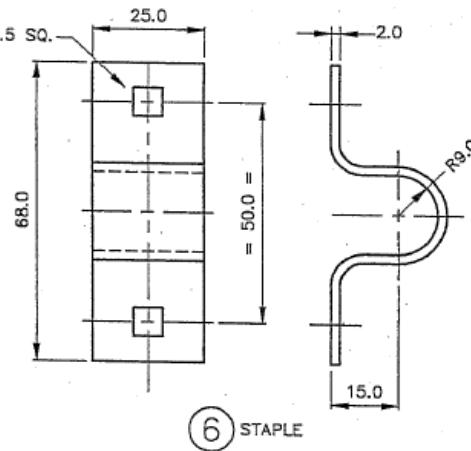
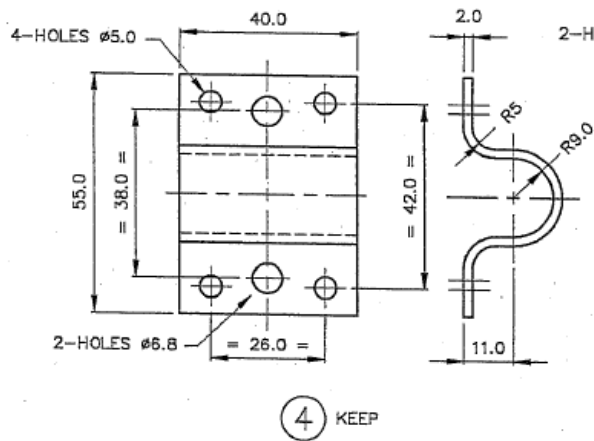
HOT DIP GALV TO BE 43 microns THK MIN.

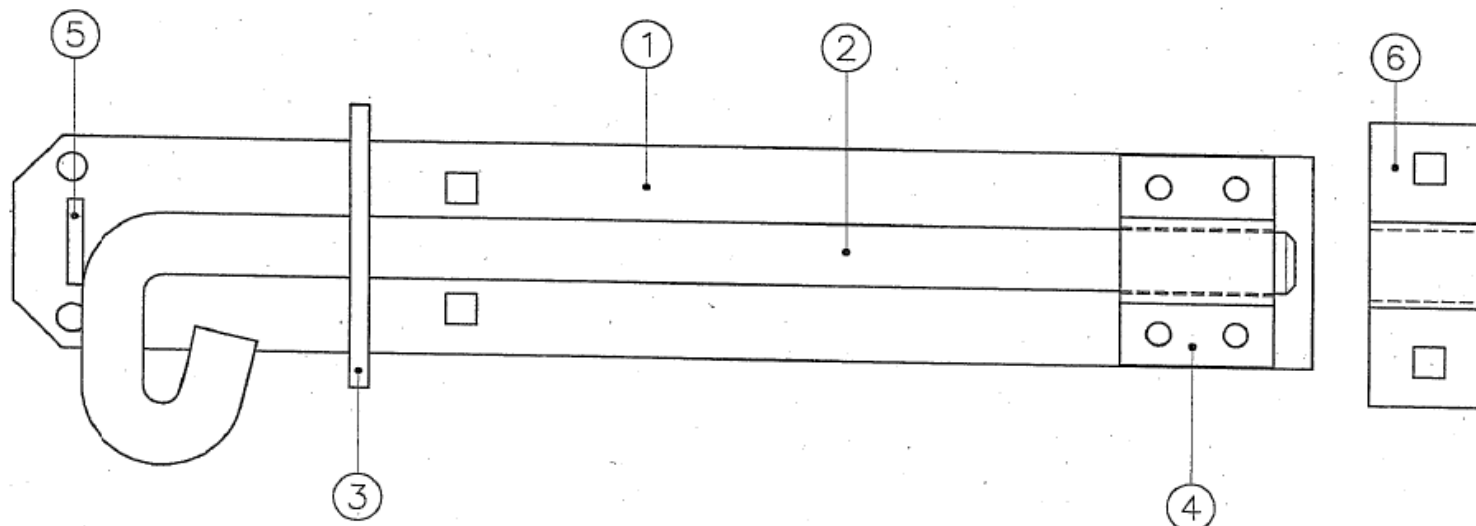
4209 222	12"	320	275	H.D.GALV.
4209 204	10"	273	224	B.Z.P.
4209 202	10"			H.D.GALV.
4209 182	8"	222	170	H.D.GALV.
4209 162	6"	175	123	H.D.GALV.
PRODUCT REF.	SIZE	'A'	'B'	FINISH



HOT DIP GALV TO BE 43 MICRONS THK MIN.

4209 222	12"	280	H.D.GALV.
4209 204	10"	230	B.Z.P.
4209 202	10"		H.D.GALV.
4209 182	8"	185	H.D.GALV.
4209 162	6"	130	H.D.GALV.
PRODUCT REF.	SIZE	"A"	FINISH



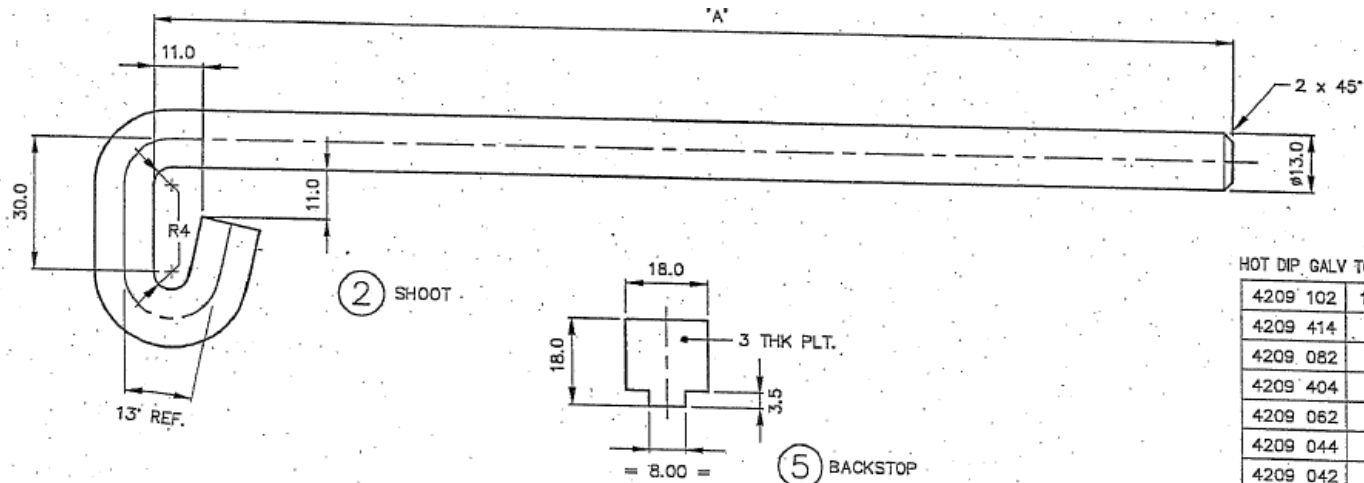


6	STAPLE	1
5	BACKSTOP	1
4	KEEP	1
3	LOCKING PLATE	1
2	SHOOT	1
1	BASEPLATE	1
ITEM	DESCRIPTION	QTY

ITEMS 3 & 5 TO BE SECURELY FIXED WITHOUT MOVEMENT.
FOR SECURITY REQUIREMENT TESTING REFER TO DRAWING 4209-T

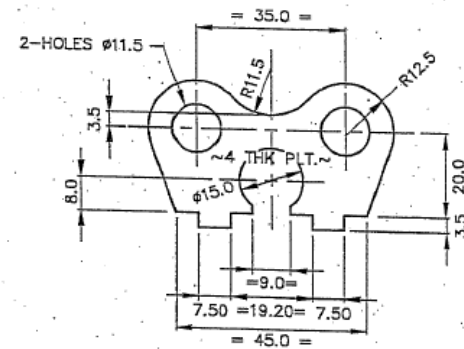
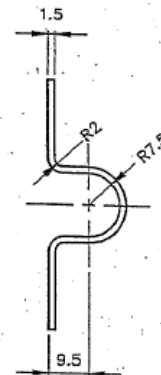
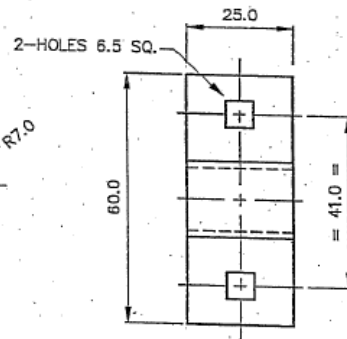
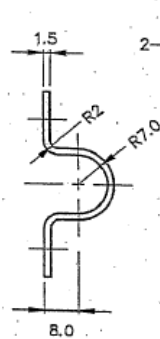
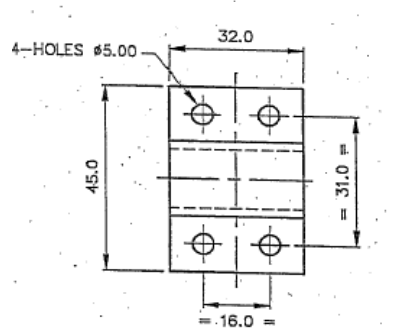
HOT DIP GALV TO BE 43 microns THK MIN.

4209 102	10"	H.D.GALV.
4209 414	8"	B.Z.P.
4209 082		H.D.GALV.
4209 404	6"	B.Z.P.
4209 062		H.D.GALV.
4209 044	4"	B.Z.P.
4209 042		H.D.GALV.
PRODUCT REF.	SIZE	FINISH



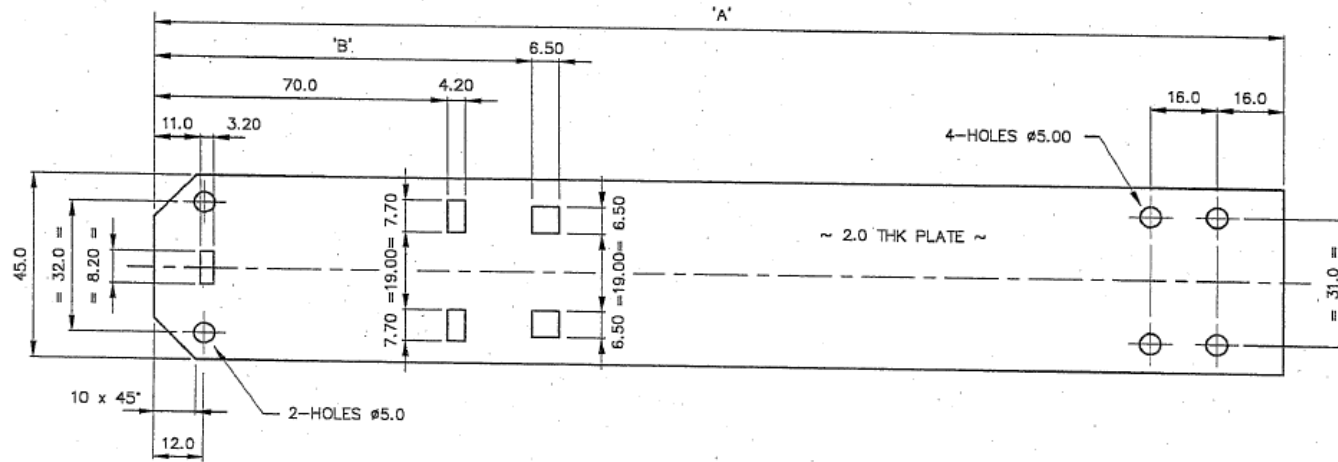
HOT DIP GALV TO BE 43 microns THK MIN.

4209 102	10"	240	H.D.GALV.
4209 414	8"	190	B.Z.P.
4209 082	8"		H.D.GALV.
4209 404	6"	150	B.Z.P.
4209 062	6"		H.D.GALV.
4209 044	4"	95	B.Z.P.
4209 042	4"		H.D.GALV.
PRODUCT REF.	SIZE	'A'	FINISH





ENGLISH



HOT DIP GALV TO BE 43 microns THK MIN.

4209 102	10"	270	91	H.D.GALV.
4209 414	8"	215		B.Z.P.
4209 082				H.D.GALV.
4209 404	6"	176	45	B.Z.P.
4209 062				H.D.GALV.
4209 044	4"	119		B.Z.P.
4209 042			H.D.GALV.	
PRODUCT REF.	SIZE	'A'	'B'	FINISH