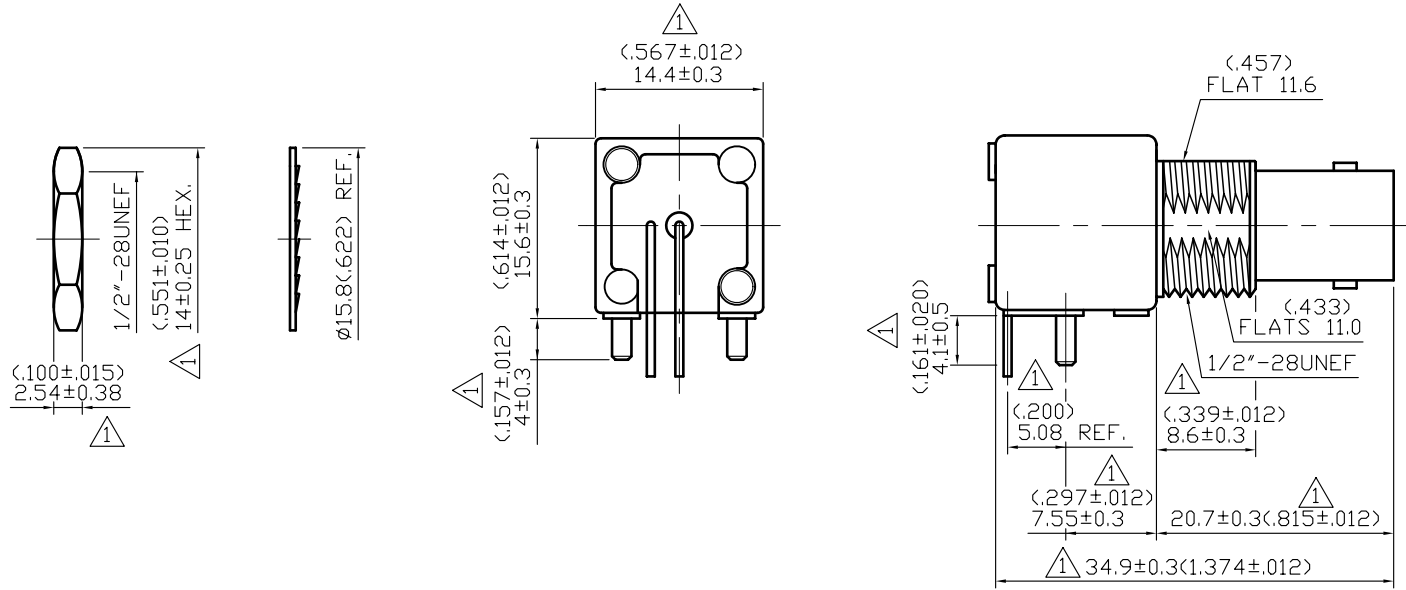


NO	DESCRIPTION	DATE
△	ADD 10.16 ; 8.6±0.3 ; DEL 5.08 14.0 HEX. → 14±0.25 HEX. Ø2.1X2 → Ø2.00X2 ; 2.5 → 2.54±0.38 Ø0.9X2 → Ø0.90X2 ; 4.0 → 4±0.3 4.1±0.3 → 4.1±0.5 ; 5.1 → 5.08 REF. 7.5 → 7.55±0.3 ; 14.5 REF. → 14.4±0.3 20.8 REF. → 20.7±0.3 34.9±0.5 → 34.9±0.3 12.0 REF. → 11.7 Ø12.9 REF. → Ø12.83 DEL CONTACT RESISTANCE -65° C TO +165° C → -40° C TO +60° C MODIFICATION MATERIAL	04.21.09'



SPECIFICATIONS:

MECHANICAL CHARACTERISTICS:

MATING/UNMATING--500 CYCLES

ELECTRICAL CHARACTERISTICS:

NORMAL IMPEDANCE-- 75 OHMS

FREQUENCY RANGE-- 0-1 GHz

TESTING VOLTAGE-- 500 VOLTS RMS

DIELECTRIC WITHSTANDING VOLTAGE-- 1500 VOLTS RMS

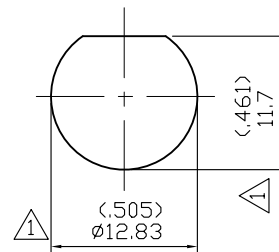
INSULATION RESISTANCE-- 5000 MEGOHMS MIN.

ENVIRONMENTAL CHARACTERISTICS:

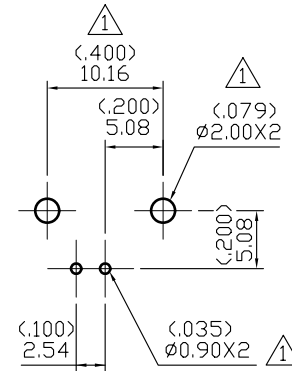
TEMPERATURE RANGE-- -40° C TO +60° C △

THERMAL SHOCK-- MIL-STD-202,METHOD 107,COND.B.

PHYSICAL SHOCK-- MIL-STD-202,METHOD 204,COND.B.



MOUNTING HOLE



RECOMMEND PCB LAYOUT

APPROVED

by

DATE:



7	SOLDER PIN	COPPER WIRE	1	TIN	△
6	CENTER CONTACT	PHOSPHOR BRONZE WITH GOLD PLATING AT CONTACT AREA TIN PLATING AT TAIL	1	GOLD TIN	△
5	INSULATION	POLYPROPYLENE UL 94HB	1	NONE	△
4	LOCK WASHER	S50C	1	NICKEL	△
3	NUT	BRASS	1	NICKEL	△
2	BODY	ZINC ALLOY	1	NICKEL	△
1	MOUNTING POST	BRASS	2	TIN	△
NO	DESCRIPTION	MATERIAL	Q'TY	FINISH	

DESCRIPTION		BNC RIGHT ANGLE PCB MOUNT JACK RECEPTACLE(METAL HOUSING)						
製圖	DRAWN	TOLERANCE	品名	13-60-3 D.G.Z	日期	DATE	版次	REV.
	CHECK	.XX ±0.2	TITLE	\ROHS COMPLIANT <75Ω>	08.17.98'		B-1	
檢圖	CHECK	.XX ±0.1	單位	mm(in)	DWG.NO.	13-0484		
	APPROVAL	.XXX ±0.05	比例	SCALE	RS 5465143			
認定	ANGLE	±5°	比例	2:1				