

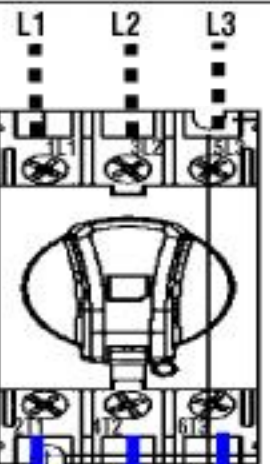


725-5575
725-5588
725-5585
723-5597

1 WIRING DIAGRAM FOR
3 PHASE SUPPLY WITH
400V COIL

MFRS PART NOS:
YDSW11400
YDSW15400
YDSW22400
YDSW30400

INCOMING TP SUPPLY **2**



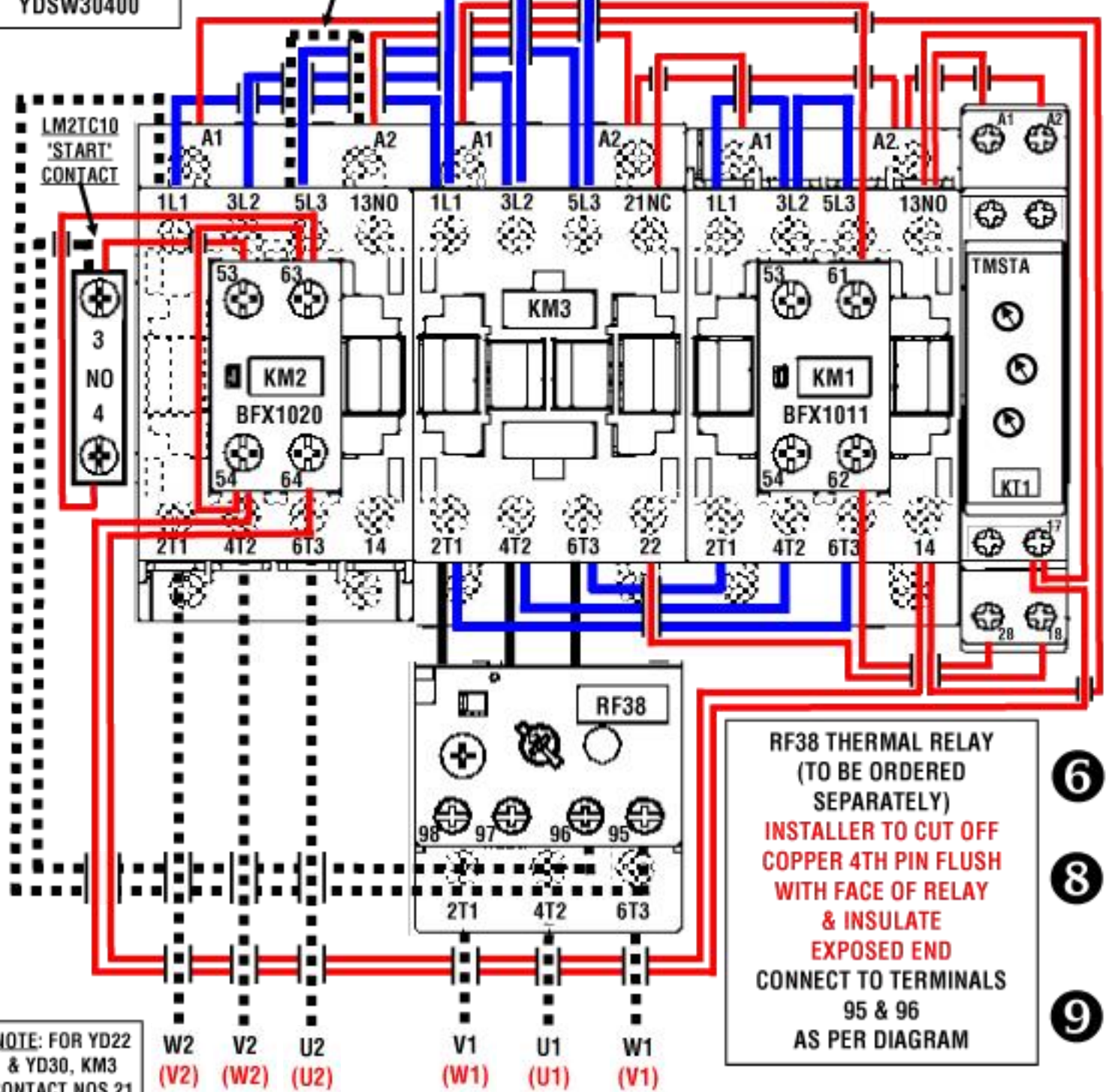
KEY

- CONTROL WIRING ALREADY INCLUDED —
- POWER & Y/D LINKS ALREADY INCLUDED —
- CONNECTIONS TO BE MADE BY INSTALLER - - - - -

WARNING
TO PREVENT RISK OF DAMAGE OR SAFETY HAZARDS, THIS EQUIPMENT SHOULD ONLY BE INSTALLED BY SUITABLY QUALIFIED OR COMPETENT PERSONS AND IN ACCORDANCE WITH ALL APPLICABLE ELECTRICAL REGULATIONS

NOTE:
INSERT
LINK L3-A2

LSTAR005 | GB DP 10 10



6
8
9

RF38 THERMAL RELAY
(TO BE ORDERED SEPARATELY)
INSTALLER TO CUT OFF COPPER 4TH PIN FLUSH WITH FACE OF RELAY & INSULATE EXPOSED END
CONNECT TO TERMINALS 95 & 96 AS PER DIAGRAM

NOTE: FOR YD22 & YD30, KM3 CONTACT NOS 21 & 22 ARE REPLACED WITH KM3 CONTACT NOS 61 & 62

OUTGOING MOTOR CONNECTIONS
(CONNECTIONS FOR SHOWN IN RED)

10